

Sales Catalog

Cabinets



5 Year Limited Warranty

Vendor warrants to the original consumer purchaser that cabinetry, door hinges, and drawer glides will be free from defects in material and workmanship under normal use and service for a period of Five (5) years from purchase date (Proof of Purchase is required). This warranty is not transferable and only applicable to product used for residential purposes. Representatives of this cabinet line do not have the authority to change or enlarge this warranty.

This warranty does not cover normal wear and tear, damage or defects caused by accidents, misuse, abuse, or lack of necessary maintenance; nor does it cover alteration, modification, improper installation, improper handling / storage, environmental conditions, nor any labor expenses.

Vendor, at our option, may elect to repair or replace with a functionally equivalent product any product covered by this warranty. Some replacement parts are subject to availability and may differ from original parts received. Return of defective product may be required for a replacement to be issued. Repair parts or replacement parts are at the expense of the vendor, but customer shall bear all other expenses. These expenses may include, but are not limited to, cost of removal and re-installation of product, labor expenses, etc.

Just as no two trees are alike, no two pieces of wood are alike. The variation in color and grain pattern in wood adds to its natural beauty and is not considered an imperfection. Environmental factors, including but not limited to artificial / natural light, moisture, cleaners, smoke, etc, may cause the darkening or mellowing of a cabinet over time. This is a natural process and can be expected. This warranty does not cover the natural aging or darkening / mellowing of wood color, the inherent growth characteristics of, or variation in wood.

Some of the cabinet lines feature a glazed finish that accentuates the door and drawer front profiles. This glaze is hand-applied over a stain or paint and may, due to the nature of application, consist of random drips, runs, etc. As glazing is a hand-applied process there will be variations in color and appearance from door to door and cabinet to cabinet. This is not considered a defect and is considered normal with hand applied finishes.

It is the nature of wood to expand and contract to varying degrees depending on climate conditions. As a result, cabinet lines with painted surfaces may show fractures in the paint at joints. This is normal and is not considered a defect.

This warranty is valid only in the United States of America and is not transferable. All implied warranties are limited in duration to the shorter of the period provided by law or the period of this warranty. To the extent permitted by law, this warranty excludes special, incidental, or consequential damages. Some states do not allow the exclusion or limitations of incidental or consequential damages or limitations on how long an implied warranty lasts, so the above limitations or exclusions may not apply to you. This warranty gives you specific legal rights; you may have other rights which vary from state to state.

To exercise this warranty, please contact the supplier from whom you purchased the product. Report, in writing, all defects claimed and include proof of purchase documentation.

Special Features

| FEATURES | ASP | BC | ES | HS | MO | NG | PS | WPG | WS |
|---|-----|----|----|----|----|----|----|-----|----|
| Solid Hardwood Face Frames | ◆ | ◆ | ◆ | ◆ | ◆ | ◆ | ◆ | ◆ | ◆ |
| ¾" Plywood Shelves | ◆ | ◆ | ◆ | ◆ | ◆ | ◆ | ◆ | ◆ | ◆ |
| No Particle Board | ◆ | ◆ | ◆ | ◆ | ◆ | ◆ | ◆ | ◆ | ◆ |
| Butt-Style Doors | ◆ | ◆ | ◆ | ◆ | ◆ | ◆ | ◆ | ◆ | ◆ |
| Stainless Steel Baskets | ◆ | ◆ | ◆ | ◆ | ◆ | ◆ | ◆ | ◆ | ◆ |
| ½" Plywood Construction | ◆ | ◆ | ◆ | ◆ | ◆ | ◆ | ◆ | ◆ | ◆ |
| Cabinet Box & Shelves Stain Matched | ◆ | ◆ | | ◆ | ◆ | ◆ | ◆ | ◆ | ◆ |
| Natural Wood Box & Shelves | | | | ◆ | | | | | |
| Engineered HDF/Veneer Center Door Panel | ◆ | | | | | | ◆ | | ◆ |
| Raised Panel Doors | ◆ | ◆ | | | ◆ | | | | |
| Flat Panel / Shaker Style Doors | | | ◆ | ◆ | | ◆ | ◆ | ◆ | ◆ |
| European Concealed Hinges | | | ◆ | | ◆ | | | | |
| Soft Close Adjustable Concealed Hinges | ◆ | ◆ | | ◆ | | ◆ | ◆ | ◆ | ◆ |
| ¾" Solid Wood Dovetail Drawers | ◆ | ◆ | | ◆ | ◆ | ◆ | ◆ | ◆ | ◆ |
| ½" Drawer Box | | | ◆ | | | | | | |
| Full Extension Glides | ◆ | ◆ | ◆ | ◆ | ◆ | ◆ | ◆ | ◆ | ◆ |
| Side Mount Roller Bearing Drawer Glides | | | | | | | | | |
| Side Mount White Epoxy Drawer Glides | | | ◆ | | | | | | |
| Undermount Soft Close Drawer Glides | ◆ | ◆ | | ◆ | ◆ | ◆ | ◆ | ◆ | ◆ |
| Full Overlay | ◆ | ◆ | | ◆ | | ◆ | ◆ | ◆ | ◆ |
| Partial Overlay | | | ◆ | | ◆ | | | | |
| Stain Matched Drawer Boxes & ROTs | | | | | ◆ | | | | |
| Natural Wood Drawer Boxes & ROTs | ◆ | ◆ | ◆ | ◆ | | ◆ | ◆ | ◆ | ◆ |

COLOR KEY

| | | |
|------------------------|----------------------|-----------------------|
| Aspen White = ASP | Hickory Shaker = HS | Platinum Shaker = PS |
| Bristol Chocolate = BC | Glazed Mocha = MO | West Point Grey = WPG |
| Espresso Shaker = ES | Winchester Grey = NG | White Shaker = WS |

* ALL ARE UPGRADEABLE TO SOFT CLOSE *

Premium Quality Cabinets

Standard Special Features At No Cost To You

- Solid hardwood door frames and face frames with hardwood or engineered center panels.
 - White Shaker, Aspen White, and Platinum Shaker are composed of solid HDF to ensure the highest quality painted shaker style doors.
- Cabinet boxes are ½” plywood construction including sides, tops, and bottoms for lasting durability and strength.
- Most cabinet boxes are match stained and finished inside and out.
- ¾” Plywood shelves are standard in all cabinets.
- Soft Close full extension under mount drawer glides are standard on all lines except Espresso Shaker (which features side mount white epoxy drawer glides).
- Soft close door hinges are standard on, Bristol Chocolate, Aspen White, West Point Grey, Winchester Grey, White Shaker, Platinum Shaker and Hickory Shaker.
- Bristol Chocolate, Aspen White, West Point Grey, Winchester Grey, White Shaker, Platinum Shaker and Hickory Shaker are full overlay cabinet lines.
- Butt-style doors eliminate the center stile between the doors and allow for easier use of the cabinet.
- Stainless steel baskets are standard in all lazy susan cabinets.
- ¾” Hardwood Dovetail Drawer Boxes standard on all except the Espresso Shaker.



Huge Stock

Our fully-stocked 750,000 square foot warehouse means faster fulfillment on most orders.



Table of Contents

Cabinet Styles 1-18

| | |
|------------------------|-------|
| Aspen White..... | 1-2 |
| Bristol Chocolate..... | 3-4 |
| Espresso Shaker..... | 5-6 |
| Hickory Shaker..... | 7-8 |
| Glazed Mocha..... | 9-10 |
| Winchester Grey..... | 11-12 |
| Platinum Shaker..... | 13-14 |
| West Point Grey..... | 15-16 |
| White Shaker..... | 17-18 |

Walls 19-30

| | |
|--|----|
| Single Door Wall Cabinets..... | 19 |
| Double Door Wall Cabinets..... | 20 |
| 24" Deep Wall Cabinets..... | 21 |
| Three Drawer Wall Cabinets..... | 22 |
| Easy Reach Wall Cabinets..... | 22 |
| Blind Corner Wall Cabinets..... | 23 |
| 18" High Single Door Cabinets..... | 23 |
| Angled End Wall Cabinets..... | 24 |
| Diagonal Corner Wall Cabinets..... | 24 |
| Spice Drawer Wall Cabinets..... | 25 |
| Microwave Wall Cabinets..... | 25 |
| Double Decorative Stacker Boxes..... | 27 |
| Single Decorative Stacker Wall Cabinets..... | 28 |
| Bridge Wall Cabinets..... | 29 |
| Refrigerator Wall Cabinets..... | 30 |

Bases 31-42

| | |
|---|----|
| Single Door & Drawer Base Cabinets..... | 31 |
| Double Doors & Single Drawer Base Cabinets..... | 31 |
| Double Doors & Drawers Base Cabinets..... | 32 |
| Drawer Base Cabinets..... | 32 |
| Farm Sink Base Cabinets..... | 33 |
| Sink Base Cabinets..... | 33 |
| Diagonal Corner Sink Base Cabinets..... | 34 |
| Utility Base Cabinets..... | 35 |
| Lazy Susan Corner Base Cabinets..... | 35 |
| Blind Corner Base Cabinets..... | 35 |
| Corner Drawers Base Cabinets..... | 36 |
| Angled End Base Cabinets..... | 37 |
| Full Height/Tray Base Cabinets..... | 37 |
| Spice Drawers Base Cabinets..... | 38 |
| 2 Drawer Base Cabinet..... | 39 |
| Easy Reach Base Cabinet..... | 39 |
| Spice Rack Base Cabinet..... | 40 |
| Base Microwave Cabinet..... | 41 |

Talls 43-44

| | |
|--------------------------------|----|
| 18" Wide Utility Cabinets..... | 43 |
| 24" Wide Utility Cabinets..... | 43 |
| Universal Oven Cabinets..... | 44 |

Accessories 45-54

| | |
|----------------------------------|----|
| Wine Storage Cube..... | 45 |
| Lattice Wine Rack..... | 45 |
| Stem Glass Holder..... | 46 |
| Roll Out Trays..... | 47 |
| Finished Floating Shelf..... | 47 |
| Arched Valance..... | 48 |
| Under Counter Knee Drawers..... | 48 |
| Appliance Garage..... | 49 |
| Corbels..... | 49 |
| Plate Rack..... | 50 |
| Toiler Topper..... | 50 |
| Single Glass Doors..... | 51 |
| Set of Double Glass Doors..... | 51 |
| Single Glass Diagonal Doors..... | 52 |
| Range Hood Fronts..... | 53 |

Panels, Fillers & Trims 55-66

| | |
|-----------------------------------|----|
| Wall End Panel..... | 55 |
| Base End Panel..... | 55 |
| Refrigerator End Panel..... | 56 |
| Fluted Wall and Base Fillers..... | 57 |
| Wall and Base Fillers..... | 58 |
| Decorative End Panels..... | 59 |
| Toe Kick..... | 59 |
| Island Panels..... | 60 |
| Shoe Molding..... | 60 |
| Rope Insert Moulding..... | 61 |
| Crown Moulding..... | 61 |
| Scribe Moulding..... | 62 |
| Light Rail Moulding..... | 62 |
| Cove Crown Moulding..... | 63 |
| Outside Corner Moulding..... | 63 |
| Stained Plywood..... | 64 |
| Wall Skin..... | 64 |
| Tall Skin..... | 64 |
| Base Skin..... | 64 |
| Decorative Base Moulding..... | 65 |
| Batten Moulding..... | 65 |
| Split Corner Decorative Leg..... | 65 |
| Matching Tall End Panel..... | 66 |
| Plywood Banded Edge..... | 66 |
| Bead Board..... | 66 |
| Matching Vanity End Panel..... | 66 |

Vanities 67-70

| | |
|-----------------------------------|----|
| Vanity Drawers Base Cabinets..... | 67 |
| Vanity Sink Base Cabinets..... | 68 |
| Vanity Base..... | 69 |
| Single Door Vanity Cabinets..... | 69 |
| Double Door Vanity Cabinets..... | 70 |
| Double Sink Vanity Cabinets..... | 70 |

Miscellaneous 71-72

| | |
|-----------------------------|----|
| Touch-Up Kits..... | 71 |
| Display / Sample Doors..... | 72 |

Index 75-92

Aspen White (ASP)

Wood Species:
Solid Maple / Birch

FaceFrame:
Solid Wood

Door Style:
Raised Panel
(Engineered HDF Construction)

Box Construction:
1/2" Solid Plywood

Drawer Glide:
Undermount Soft Close

Drawer Head:
5-piece, Matches Door Profile

Drawer Box:
3/4" Solid Wood Dovetail

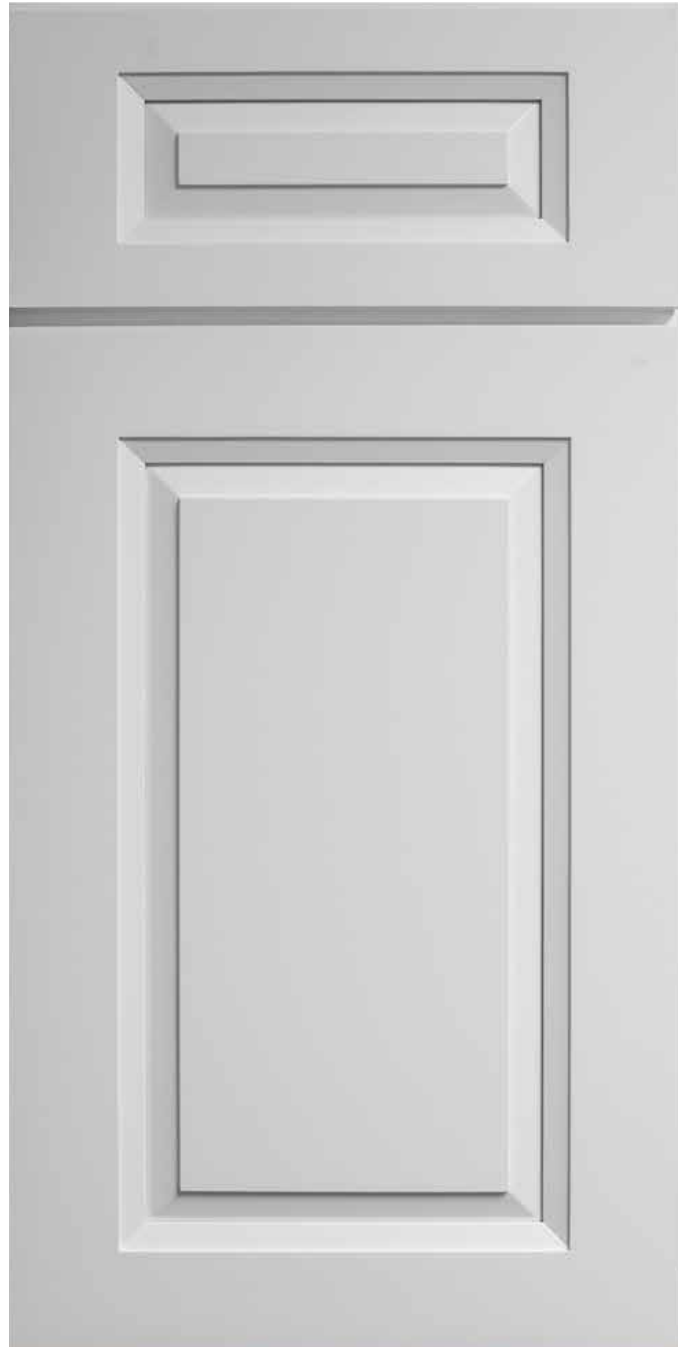
Shelves:
3/4" Adjustable Shelves

Hinge:
Soft Close 6 Way Adjustable
Concealed Hinge

Overlay:
Full

Cabinet Interior:
Color Matched Box & Shelves,
Natural Drawers

Cabinet Exterior:
Color Matched



Due to printing variations the pictures may vary slightly from true cabinet color.

Aspen White



Bristol Chocolate (BC)

Wood Species:
Solid Maple / Birch

FaceFrame:
Solid Wood

Door Style:
Raised Panel w/ Glazing

Box Construction:
1/2" Solid Plywood

Drawer Glide:
Undermount Soft Close

Drawer Head:
5-piece, Matches Door Profile

Drawer Box:
3/4" Solid Wood Dovetail

Shelves:
3/4" Adjustable Shelves

Hinge:
Soft Close 6 Way Adjustable
Concealed Hinge

Overlay:
Full

Cabinet Interior:
Color Matched Box & Shelves,
Natural Drawers

Cabinet Exterior:
Color Matched



Due to printing variations the pictures may vary slightly from true cabinet color.

Bristol Chocolate



Espresso Shaker (ES)

Wood Species:

Solid Maple / Birch

FaceFrame:

Solid Wood

Door Style:

Shaker Style

Box Construction:

1/2" Solid Plywood

Drawer Glide:

Side Mount White Epoxy

Drawer Head:

5-piece, Matches Door Profile

Drawer Box:

1/2" Drawer Box

Shelves:

3/4" Adjustable Shelves

Hinge:

European Concealed Hinge

Overlay:

Partial

Cabinet Interior:

Natural Box, Shelves & Drawers

Cabinet Exterior:

Color Matched



Due to printing variations the pictures may vary slightly from true cabinet color.

Espresso Shaker



Hickory Shaker (HS)

Wood Species:

American Hickory

FaceFrame:

Solid Wood

Door Style:

Shaker Style

Box Construction:

1/2" Solid Hickory

Drawer Glide:

Undermount Soft Close

Drawer Head:

Solid Slab

Drawer Box:

3/4" Solid Wood Dovetail

Shelves:

3/4" Adjustable Shelves

Hinge:

Soft Close 6 Way Adjustable
Concealed Hinge

Overlay:

Full

Cabinet Interior:

Natural Box, Shelves & Drawers

Cabinet Exterior:

Natural Hickory



If knotty appearance is desired... applicable end panels must be purchased.
Due to printing variations the pictures may vary slightly from true cabinet color.

Hickory Shaker



Glazed Mocha (MO)

Wood Species:
Solid Maple / Birch

FaceFrame:
Solid Wood

Door Style:
Raised Panel w/ Glazing

Box Construction:
1/2" Solid Plywood

Drawer Glide:
Undermount Soft Close

Drawer Head:
5-piece, Matches Door Profile

Drawer Box:
3/4" Solid Wood Dovetail

Shelves:
3/4" Adjustable Shelves

Hinge:
6 Way Adjustable European
Concealed Hinge

Overlay:
Partial

Cabinet Interior:
Color Matched

Cabinet Exterior:
Color Matched



Due to printing variations the pictures may vary slightly from true cabinet color.

Glazed Mocha



Winchester Grey (NG)

Wood Species:
Solid Maple / Birch

FaceFrame:
Solid Wood

Door Style:
Flat Panel w/ Decorative Edge

Box Construction:
1/2" Solid Plywood

Drawer Glide:
Undermount Soft Close

Drawer Head:
5-piece, Matches Door Profile

Drawer Box:
3/4" Solid Wood Dovetail

Shelves:
3/4" Adjustable Shelves

Hinge:
Soft Close 6 Way Adjustable
Concealed Hinge

Overlay:
Full

Cabinet Interior:
Natural Finish Box & Shelves,
Natural Drawers

Cabinet Exterior:
Natural Finish



Due to printing variations the pictures may vary slightly from true cabinet color.

Winchester Grey



Platinum Shaker (PS)

Wood Species:

Solid Maple / Birch

FaceFrame:

Solid Wood

Door Style:

Shaker Style

(Engineered HDF Construction)

Box Construction:

1/2" Solid Plywood

Drawer Glide:

Undermount Soft Close

Drawer Head:

5-piece, Matches Door Profile

Drawer Box:

3/4" Solid Wood Dovetail

Shelves:

3/4" Adjustable Shelves

Hinge:

Soft Close 6 Way Adjustable

Concealed Hinge

Overlay:

Full

Cabinet Interior:

Color Matched Box & Shelves,

Natural Drawers

Cabinet Exterior:

Color Matched



Due to printing variations the pictures may vary slightly from true cabinet color.

Platinum Shaker



West Point Grey (WPG)

Wood Species:

Solid Maple / Birch

FaceFrame:

Solid Wood

Door Style:

Flat Panel w/ Decorative Edge

Box Construction:

1/2" Solid Plywood

Drawer Glide:

Undermount Soft Close

Drawer Head:

5-piece, Matches Door Profile

Drawer Box:

3/4" Solid Wood Dovetail

Shelves:

3/4" Adjustable Shelves

Hinge:

Soft Close 6 Way Adjustable
Concealed Hinge

Overlay:

Full

Cabinet Interior:

Color Matched Box & Shelves,
Natural Drawers

Cabinet Exterior:

Color Matched



Due to printing variations the pictures may vary slightly from true cabinet color.

West Point Grey



White Shaker (WS)

Wood Species:
Solid Maple / Birch

FaceFrame:
Solid Wood

Door Style:
Shaker Style
(Engineered HDF Construction)

Box Construction:
1/2" Solid Plywood

Drawer Glide:
Undermount Soft Close

Drawer Head:
5-piece, Matches Door Profile

Drawer Box:
3/4" Solid Wood Dovetail

Shelves:
3/4" Adjustable Shelves

Hinge:
Soft Close 6 Way Adjustable
Concealed Hinge

Overlay:
Full

Cabinet Interior:
Color Matched Box & Shelves,
Natural Drawers

Cabinet Exterior:
Color Matched



Due to printing variations the pictures may vary slightly from true cabinet color.

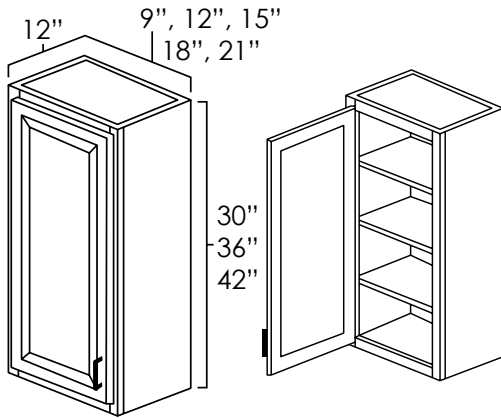
White Shaker



SINGLE DOOR WALL CABINETS

SKU: W0930 • W0936 • W0942 • W1230 • W1236 • W1242 • W1530 • W1536 • W1542 • W1830 • W1836
W1842 • W2130 • W2136 • W2142

WALLS



Specifications:

- » 30" and 36" tall cabinets have two adjustable shelves.
- » 42" tall cabinets have three adjustable shelves.
- » Doors may be replaced with corresponding glass door (see page 51).
- » *For SKU ordering info see page 75*

| ASP | BC | ES | HS | MO | NG | PS | WPG | WS |
|-----|----|----|----|----|----|----|-----|----|
| ◆ | ◆ | ◆ | ◆ | ◆ | ◆ | ◆ | ◆ | ◆ |





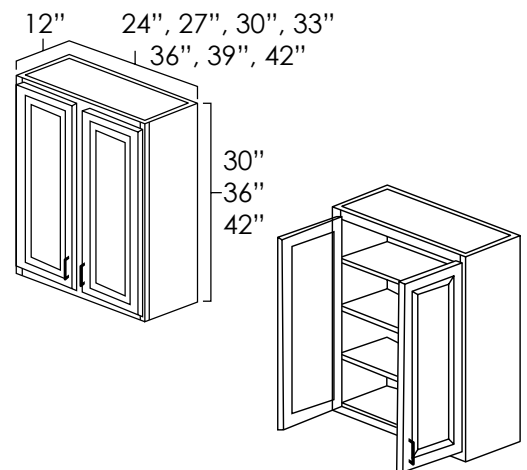
DOUBLE DOOR WALL CABINETS

SKU: W2430 • W2430 • W2442 • W2730 • W2736 • W2742 • W3030
 W3036 • W3042 • W3330 • W3336 • W3342 • W3630 • W3636 • W3642
 W3930 • W3936 • W3942 • W4230 • W4236 • W4242

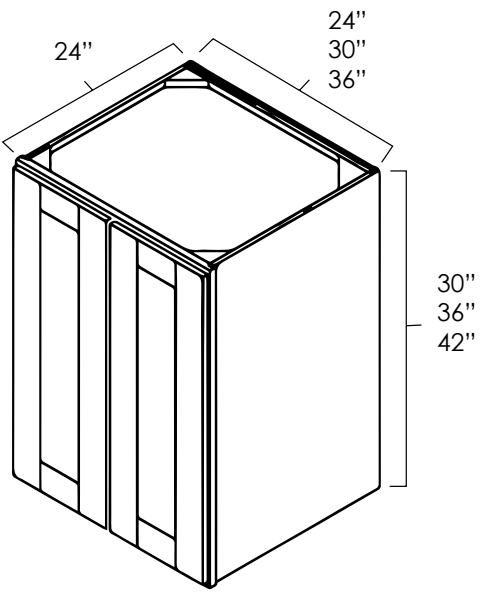
Specifications:

- » 30" and 36" tall cabinets have two adjustable shelves.
- » 42" tall cabinets have three adjustable shelves.
- » Butt doors on cabinets are 24" though 36" wide.
- » Doors may be replaced with corresponding set of double glass doors (see page 51).
- » *For SKU ordering info see page 76*

| ASP | BC | ES | HS | MO | NG | PS | WPG | WS |
|-----|----|----|----|----|----|----|-----|----|
| ◆ | ◆ | ◆ | ◆ | ◆ | ◆ | ◆ | ◆ | ◆ |



24" DEEP DOUBLE DOOR WALL CABINETS



SKU:
W243024 • W243624 • W244224
W303024 • W303624 • W304224
W363024 • W363624 • W364224

- Specifications:**
- » 24" Deep
 - » Top Cabinet to be used for Split Pantries
 - » Will need a tall skin to cover seam
 - » *For SKU ordering info see page 77*

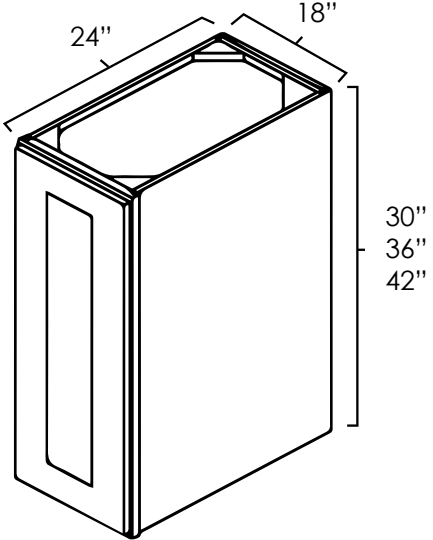
| ASP | BC | ES | HS | MO | NG | PS | WPG | WS |
|-----|-----|-----|----|-----|----|----|-----|----|
| N/A | N/A | N/A | ◆ | N/A | ◆ | ◆ | ◆ | ◆ |



24" DEEP SINGLE DOOR WALL CABINETS

SKU:
W183024 • W183624 • W184224

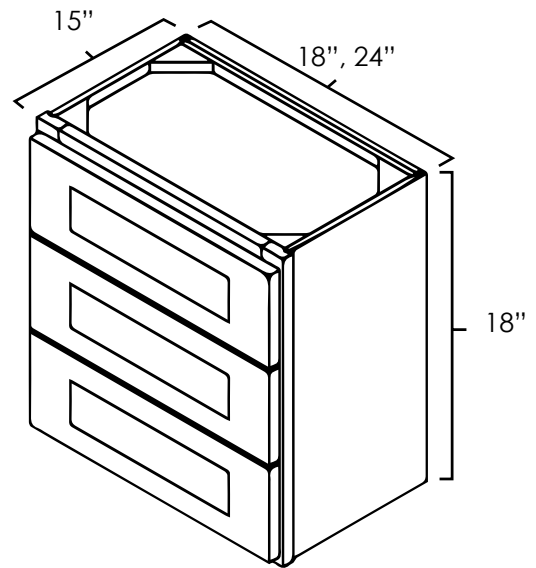
- Specifications:**
- » 24" Deep
 - » Top Cabinet to be used for Split Pantries
 - » Will need a tall skin to cover seam
 - » *For SKU ordering info see page 77*



| ASP | BC | ES | HS | MO | NG | PS | WPG | WS |
|-----|-----|-----|----|-----|----|----|-----|----|
| N/A | N/A | N/A | ◆ | N/A | ◆ | ◆ | ◆ | ◆ |



THREE DRAWER WALL CABINETS



WALLS

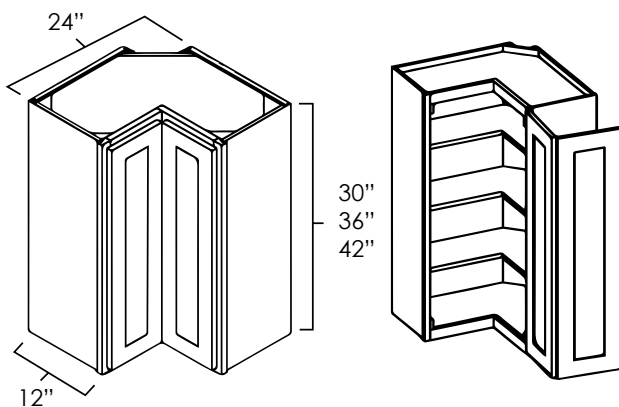
SKU: W3DR18 • W3DR24

Specifications:

- » One standard height dovetail drawer
- » Two deeper dovetail drawers
- » For SKU ordering info see page 77

| ASP | BC | ES | HS | MO | NG | PS | WPG | WS |
|-----|-----|-----|----|-----|----|----|-----|----|
| N/A | N/A | N/A | ◆ | N/A | ◆ | ◆ | ◆ | ◆ |

EASY REACH WALL CABINETS



SKU: WER2430 • WER2436 • WER2442

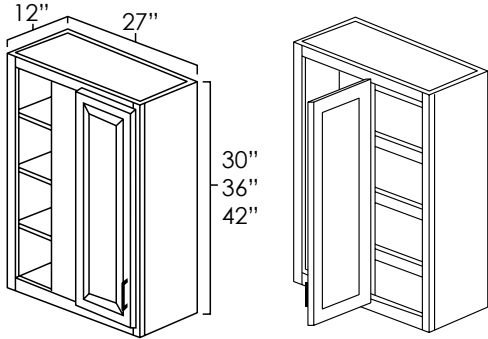
Specifications:

- » One 1/2 depth adjustable (non-removable) shelf
- » Decorative hardware screws must be countersunk to prevent scratching of adjacent cabinet
- » For SKU ordering info see page 77

| ASP | BC | ES | HS | MO | NG | PS | WPG | WS |
|-----|-----|-----|----|-----|----|----|-----|----|
| N/A | N/A | N/A | ◆ | N/A | ◆ | ◆ | ◆ | ◆ |

BLIND CORNER WALL CABINETS

SKU: WBC2730 • WBC2736 • WBC2742



Specifications:

- » 30" and 36" tall cabinets have two adjustable shelves.
- » 42" tall cabinets have three adjustable shelves.
- » For SKU ordering info see page 77

| ASP | BC | ES | HS | MO | NG | PS | WPG | WS |
|-----|----|----|----|----|----|----|-----|----|
| ◆ | ◆ | ◆ | ◆ | ◆ | ◆ | ◆ | ◆ | ◆ |



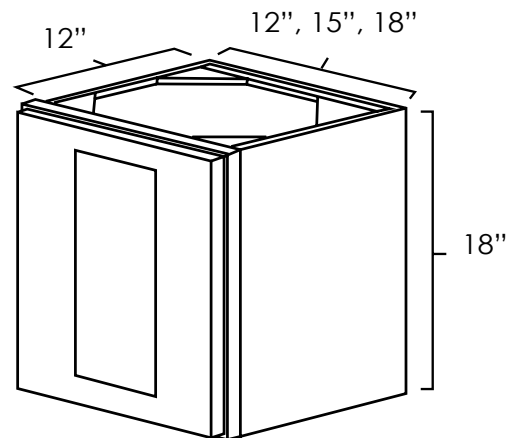
18" HIGH SINGLE DOOR WALL CABINETS

W1218 • W1518 • W1818

Specifications:

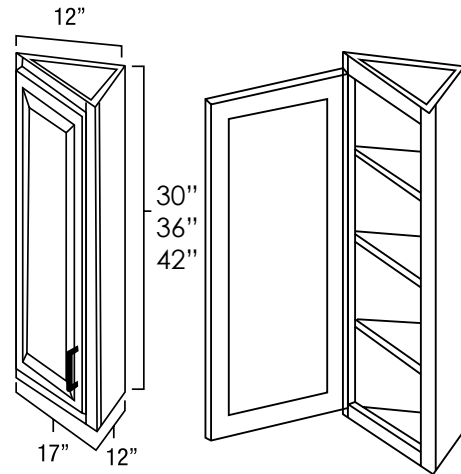
- » **No Shelf**
- » **18" Tall**
- » For SKU ordering info see page 78

| ASP | BC | ES | HS | MO | NG | PS | WPG | WS |
|-----|-----|-----|----|-----|----|----|-----|----|
| N/A | N/A | N/A | ◆ | N/A | ◆ | ◆ | ◆ | ◆ |



ANGLED END WALL CABINETS

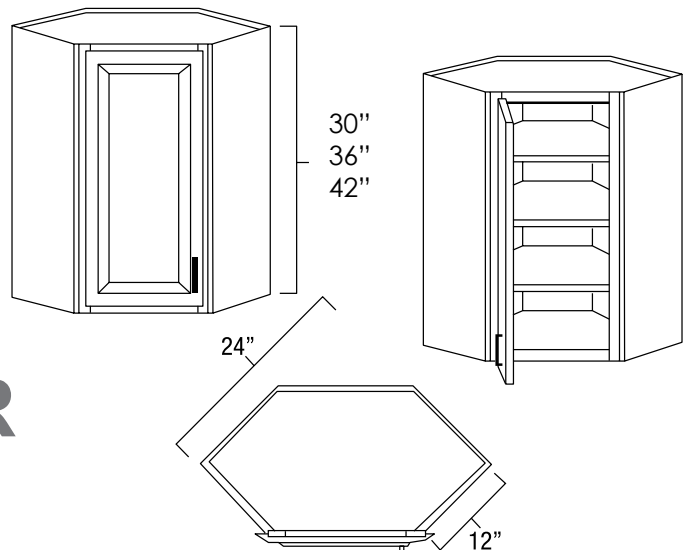
SKU: WCA1230 • WCA1236 • WCA1242



Specifications:

- » 30" and 36" tall cabinets have two adjustable shelves.
- » 42" tall cabinets have three adjustable shelves.
- » For SKU ordering info see page 78

| ASP | BC | ES | HS | MO | NG | PS | WPG | WS |
|-----|----|-----|----|----|----|----|-----|----|
| ◆ | ◆ | N/A | ◆ | ◆ | ◆ | ◆ | ◆ | ◆ |



DIAGONAL CORNER WALL CABINETS

SKU: WDC2430 • WDC2436 • WDC2442 • WDC42PG • WDC42BG

Specifications:

- » 30" and 36" tall cabinets have two adjustable shelves.
- » 42" tall cabinets have three adjustable shelves.
- » Door may be replaced with corresponding diagonal glass door (see page 52).
- » For SKU ordering info see page 76

WDC2430 • WDC2436 • WDC2442

| ASP | BC | ES | HS | MO | NG | PS | WPG | WS |
|-----|----|----|----|----|----|----|-----|----|
| ◆ | ◆ | ◆ | ◆ | ◆ | ◆ | ◆ | ◆ | ◆ |

WDC42PG • With Plain Glass (PG)

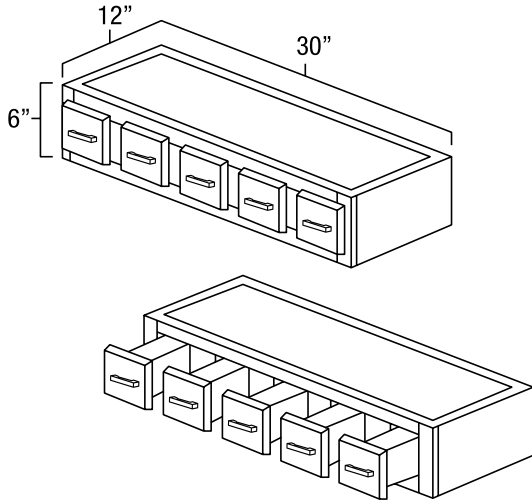
| ASP | BC | ES | HS | MO | NG | PS | WPG | WS |
|-----|-----|-----|----|-----|----|----|-----|----|
| ◆ | N/A | N/A | ◆ | N/A | ◆ | ◆ | ◆ | ◆ |

WDC42BG • With Beveled Glass (BG)

| ASP | BC | ES | HS | MO | NG | PS | WPG | WS |
|-----|----|-----|-----|----|-----|-----|-----|-----|
| N/A | ◆ | N/A | N/A | ◆ | N/A | N/A | N/A | N/A |

SPICE DRAWER WALL CABINETS

SKU: WSC30



Specifications:

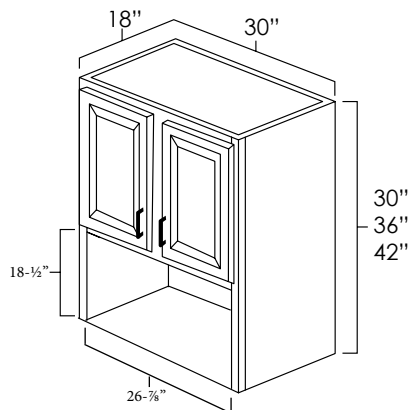
- » This cabinet does not come with any drawer slides.
- » The interior is finished and the cabinet can be used without the drawers as a wine rack.
- » The drawers cannot be turned. If drawers are used the cabinet must be installed horizontally for them to function properly.
- » For SKU ordering info see page 78

| ASP | BC | ES | HS | MO | NG | PS | WPG | WS |
|-----|----|-----|----|----|----|----|-----|----|
| ◆ | ◆ | N/A | ◆ | ◆ | ◆ | ◆ | ◆ | ◆ |



MICROWAVE WALL CABINETS

SKU: WSC30



Specifications:

- » This cabinet is designed for "counter" style microwaves.
- » There are no shelves in this cabinet.
- » Opening width is 26-7/8".
- » Opening height is 18-1/2".
- » Shelf depth is 20".
- » Cabinet depth is 18".
- » Butt doors on all microwave cabinets.
- » For SKU ordering info see page 78

| ASP | BC | ES | HS | MO | NG | PS | WPG | WS |
|-----|----|-----|----|----|----|----|-----|----|
| ◆ | ◆ | N/A | ◆ | ◆ | ◆ | ◆ | ◆ | ◆ |

Walls

WALLS



Cabinet Specifications

DOUBLE DECORATIVE STACKER BOXES

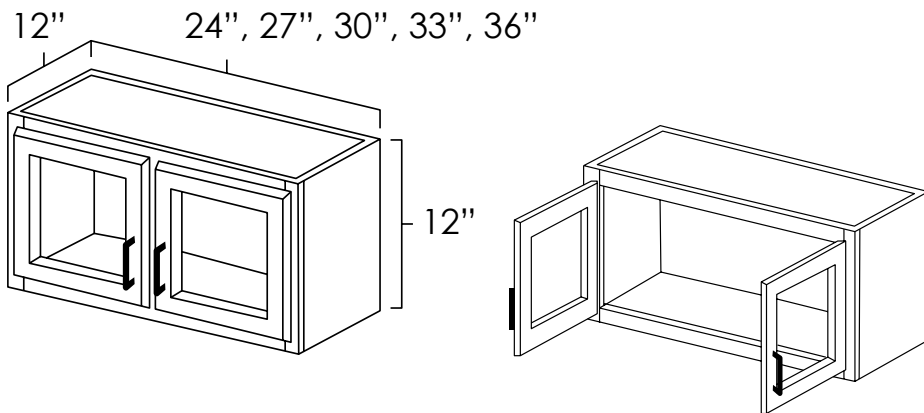
SKU: W2421BG • W2721BG • W3012BG • W3312BG • W3612BG • W2412PG • W2712PG • W3012PG • W3312PG • W3612PG

Specifications:

- » **Doors have beveled glass or plain glass fronts.**
- » **These cabinets are shipped pre-assembled.**
- » **Butt doors on all double door stacker cabinets.**
- » *For SKU ordering info see page 78*

With Beveled Glass (BG) • With Plain Glass (PG)

| | ASP | BC | ES | HS | MO | NG | PS | WPG | WS |
|-----------|-----|-----|-----|-----|-----|-----|-----|-----|-----|
| BG | N/A | ◆ | N/A | N/A | ◆ | N/A | N/A | N/A | N/A |
| PG | ◆ | N/A | N/A | ◆ | N/A | ◆ | ◆ | ◆ | ◆ |

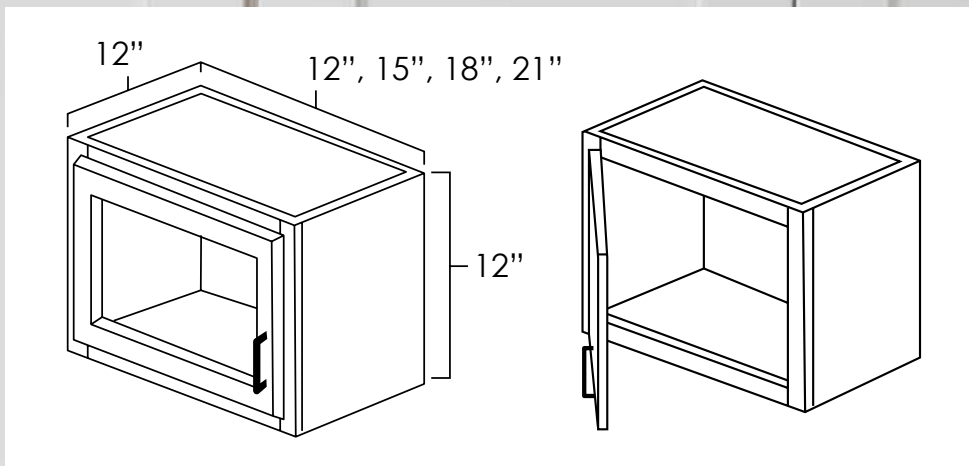


A double decorative stacker wall cabinet has been stacked on top of a refrigerator. Shown here in Winchester Grey.



SINGLE DECORATIVE STACKER WALL CABINETS

SKU: W1212BG • W1512BG • W1812BG • W2112BG • W1212PG • W1512PG • W1812PG • W2112PG



Specifications:

- » Doors have beveled glass or plain glass fronts.
- » These cabinets are shipped pre-assembled.
- » Butt doors on all double door stacker cabinets.
- » *For SKU ordering info see page 79*

With Beveled Glass (BG) • With Plain Glass (PG)

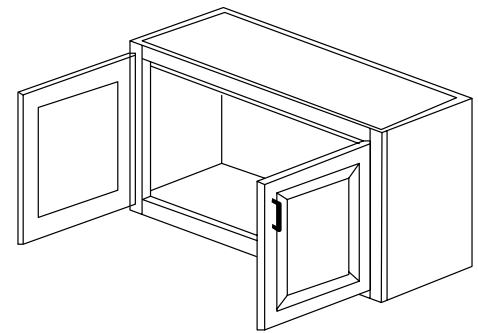
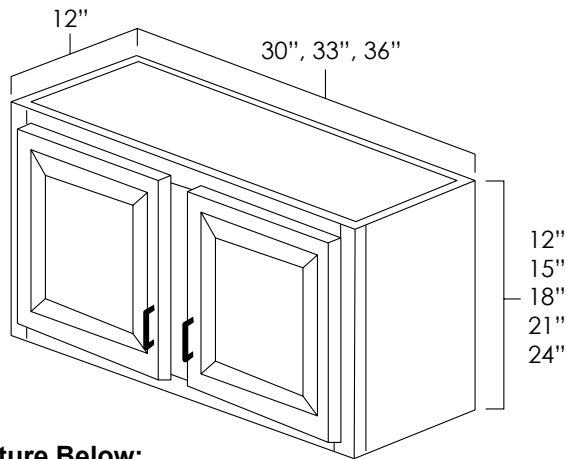
| | ASP | BC | ES | HS | MO | NG | PS | WPG | WS |
|-----------|-----|-----|-----|-----|-----|-----|-----|-----|-----|
| BG | N/A | ◆ | N/A | N/A | ◆ | N/A | N/A | N/A | N/A |
| PG | ◆ | N/A | N/A | ◆ | N/A | ◆ | ◆ | ◆ | ◆ |

BRIDGE WALL CABINETS

SKU: W3012 • W3312 • W3612 • W3015 • W3315 • W3615 • W3018 • W3318 • W3618 • W3021 • W3321 • W3621 • W3024 • W3324 • W3624

Specifications:

- » 24" tall cabinets have one adjustable shelf.
- » The remaining heights have no shelves.
- » Butt doors on cabinets are 24" through 36" wide.
- » For SKU ordering info see page 79



Picture Below:

A bridge cabinet in Glazed Mocha has been used above a lattice wine rack with a stem glass holder attached. All cabinets are shown with crown molding that have been painted black with optional rope molding inserted for added detail. The wall cabinets to the left and right of the wine rack and bridge cabinets are shown with light rail that has been painted black to match the crown.

SKU: W3012 • W3612 • W3015 • W3615 • W3018 • W3618 • W3021 • W3621 • W3024 • W3624

| ASP | BC | ES | HS | MO | NG | PS | WPG | WS |
|-----|----|-----|----|----|----|----|-----|----|
| ◆ | ◆ | N/A | ◆ | ◆ | ◆ | ◆ | ◆ | ◆ |

SKU: W3312 • W3315 • W3318 • W3321 • W3324

| ASP | BC | ES | HS | MO | NG | PS | WPG | WS |
|-----|----|-----|----|----|----|----|-----|----|
| ◆ | ◆ | N/A | ◆ | ◆ | ◆ | ◆ | ◆ | ◆ |



Picture Above:

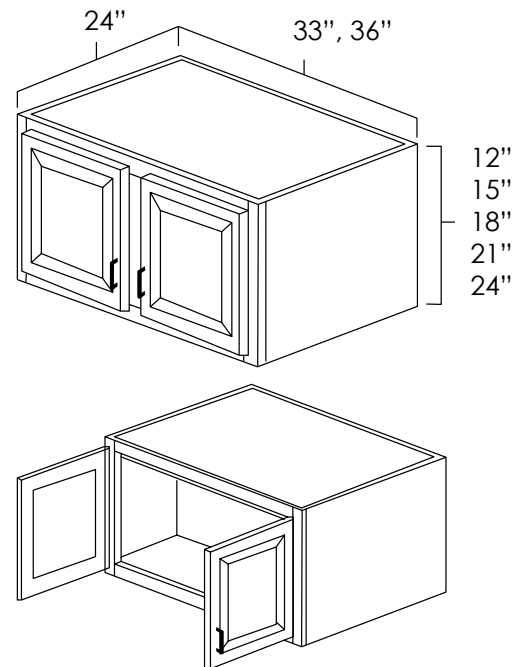
A bridge cabinet in White Shaker has been used below a wall cabinet to provide extra storage room at countertop height.



Walls

REFRIGERATOR WALL CABINETS

SKU: WR3315 • WR3324 • WR3612 • WR3615 • WR3618 • WR3621 • WR3624



Specifications:

- » 24" tall cabinets have one adjustable shelf.
- » Remaining heights have no shelves.
- » 33" wide cabinets are available only in 15" and 24" heights.
- » Butt doors on all refrigerator wall cabinets.
- » *For SKU ordering info see page 75*

SKU: WR3315 • WR3324 • WR3615 • WR3621

| ASP | BC | ES | HS | MO | NG | PS | WPG | WS |
|-----|----|-----|----|----|----|----|-----|----|
| ◆ | ◆ | N/A | ◆ | ◆ | ◆ | ◆ | ◆ | ◆ |

SKU: WR3612 • WR3618 • WR3624

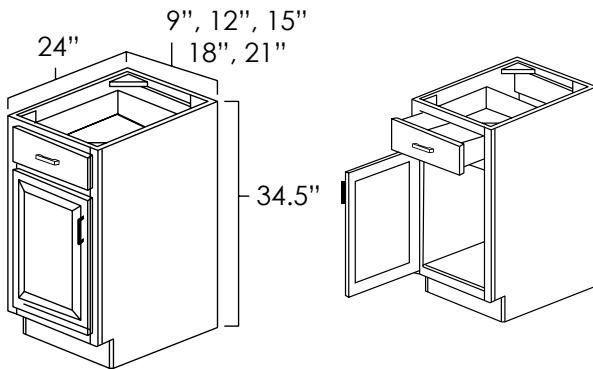
| ASP | BC | ES | HS | MO | NG | PS | WPG | WS |
|-----|----|----|----|----|----|----|-----|----|
| ◆ | ◆ | ◆ | ◆ | ◆ | ◆ | ◆ | ◆ | ◆ |

Picture:

A refrigerator cabinet is shown in West Point Grey in between two 24" Utility cabinets. To complete the look crown molding has been added.

SINGLE DOOR SINGLE DRAWER BASE CABINETS

SKU: B12 • B15 • B18 • B21



Specifications:

- » 1/2 depth adjustable shelf.
- » For SKU ordering info see page 80

ASP BC ES HS MO NG PS WPG WS

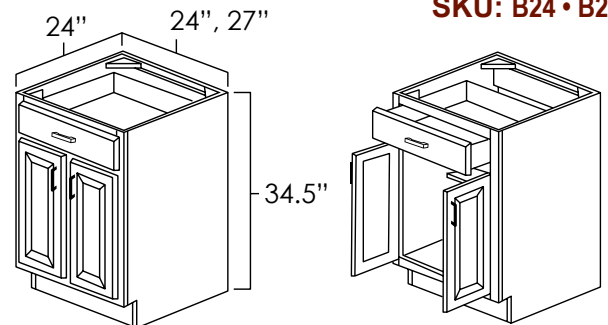


BASES



DOUBLE DOORS SINGLE DRAWER BASE CABINET

SKU: B24 • B27



Specifications:

- » 1/2 depth adjustable shelf.
- » Butt doors on both 24" and 27" wide bases.
- » For SKU ordering info see page 80

ASP BC ES HS MO NG PS WPG WS





DOUBLE DOORS & DRAWER BASE CABINETS

SKU: B30 • B33 • B36 • B39 • B42 • B48

Specifications:

- » 1/2" depth adjustable shelf.
- » Butt doors on 30" through 36" wide bases.
- » For SKU ordering info see page 80

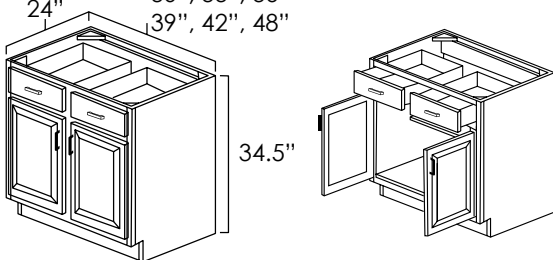
ASP BC ES HS MO NG PS WPG WS 30", 33", 36"

| | | | | | | | | |
|-----|----|----|----|----|----|----|-----|----|
| ASP | BC | ES | HS | MO | NG | PS | WPG | WS |
| ◆ | ◆ | ◆ | ◆ | ◆ | ◆ | ◆ | ◆ | ◆ |

39", 42", 48"

| | | | | | | | | |
|-----|----|-----|----|----|----|----|-----|----|
| ASP | BC | ES | HS | MO | NG | PS | WPG | WS |
| ◆ | ◆ | N/A | ◆ | ◆ | ◆ | ◆ | ◆ | ◆ |

24" 30", 33", 36"
39", 42", 48"



DRAWER BASE CABINETS

SKU: DB12 • DB15 • DB18 • DB21 • DB24 • DB30 • DB36

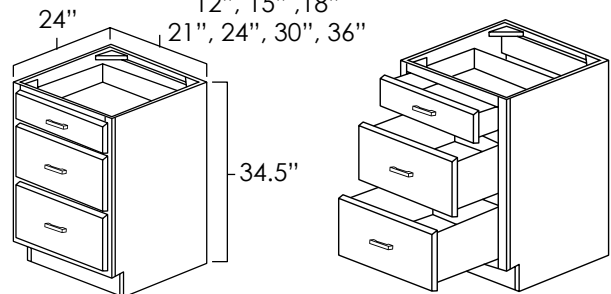
Specifications:

- » Glazed Mocha, Bristol Chocolate, Winchester Grey, West Point Grey, Aspen White and White Shaker have one standard drawer on top and two deep drawers below.
- » All drawer bases have a small top drawer and two larger bottom drawers
- » For SKU ordering info see page 80

ASP BC ES HS MO NG PS WPG WS

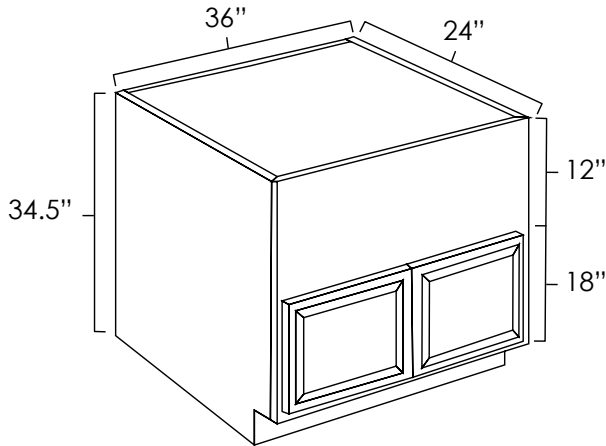
| | | | | | | | | |
|-----|---|---|---|---|---|---|---|---|
| N/A | ◆ | ◆ | ◆ | ◆ | ◆ | ◆ | ◆ | ◆ |
|-----|---|---|---|---|---|---|---|---|

24" 12", 15", 18"
21", 24", 30", 36"



FARM SINK BASE CABINETS

SKU: FSB36



Specifications:

- » 18" high cabinet doors.
- » There are no shelves or drawers in this cabinet.
- » *For SKU ordering info see page 81*

| ASP | BC | ES | HS | MO | NG | PS | WPG | WS |
|-----|----|----|----|----|----|----|-----|----|
| ◆ | ◆ | ◆ | ◆ | ◆ | ◆ | ◆ | ◆ | ◆ |



SINK BASE CABINETS

SKU: SB33 • SB36

Specifications:

- » There are no shelves in this cabinet.
- » There are no drawers in this cabinet.
- » Butt doors on this 33" or 36" wide cabinet.
- » Any base may be used as a sink base by simply not installing the drawer hardware and attaching only the drawer faces to the cabinet as false fronts.
- » *For SKU ordering info see page 81*

| ASP | BC | ES | HS | MO | NG | PS | WPG | WS |
|-----|----|----|----|----|----|----|-----|----|
| ◆ | ◆ | ◆ | ◆ | ◆ | ◆ | ◆ | ◆ | ◆ |

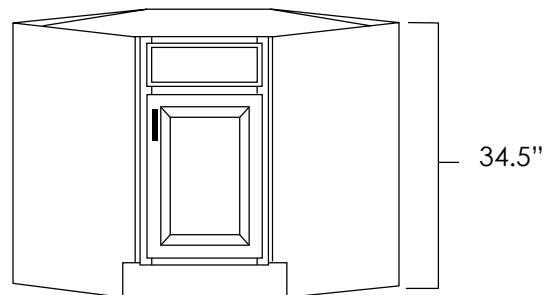
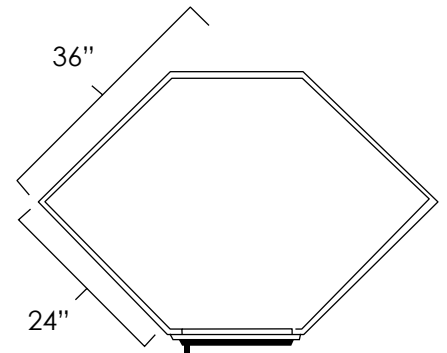
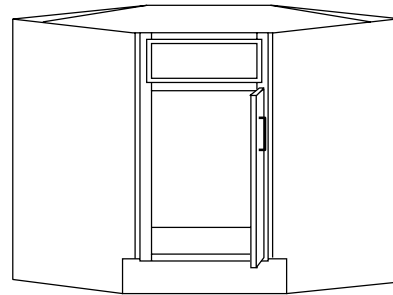
Bases

DIAGONAL CORNER SINK BASE CABINET

SKU: DCB36



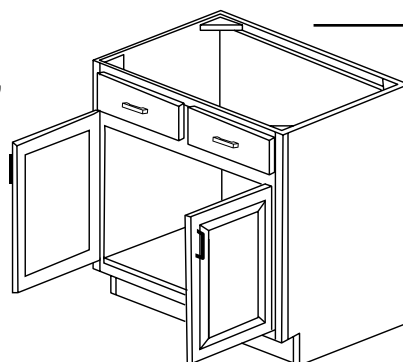
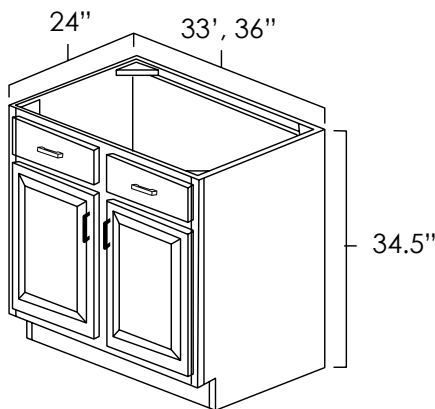
BASES



Specifications:

- » There are no shelves in this cabinet.
- » There are no drawers in this cabinet.
- » For SKU ordering info see page 81

| ASP | BC | ES | HS | MO | NG | PS | WPG | WS |
|-----|----|----|----|----|----|----|-----|----|
| ◆ | ◆ | ◆ | ◆ | ◆ | ◆ | ◆ | ◆ | ◆ |



UTILITY BASE CABINET

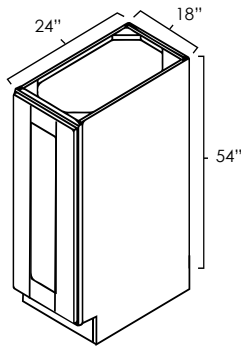
Specifications:

- » Bottom Cabinet for Split Pantries
- » Will need a tall skin to cover seam
- » For SKU ordering info see page 81

| ASP | BC | ES | HS | MO | NG | PS | WPG | WS |
|-----|-----|-----|----|-----|----|----|-----|----|
| N/A | N/A | N/A | ◆ | N/A | ◆ | ◆ | ◆ | ◆ |

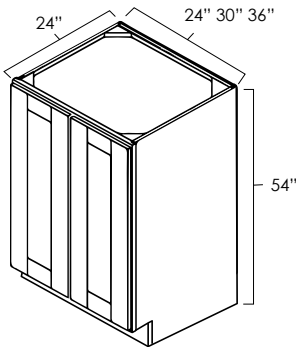
SINGLE DOOR

UCB1854



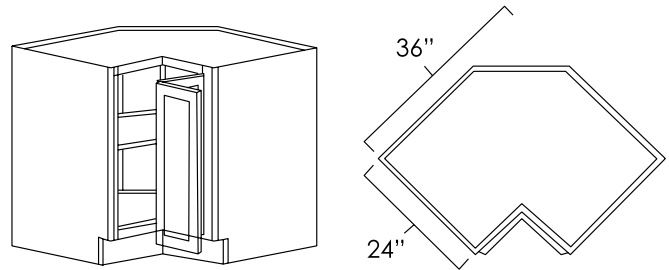
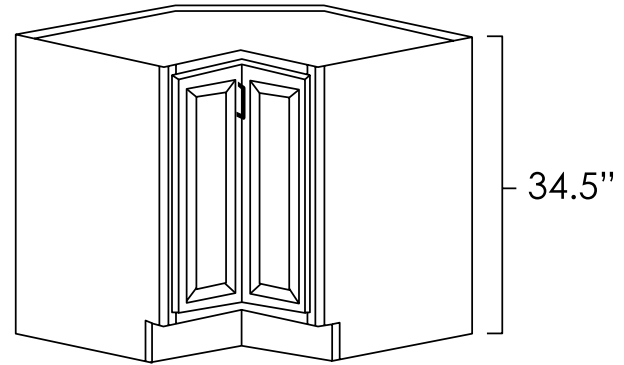
DOUBLE DOOR

UCB2454
UCB3054
UCB3654



LAZY SUSAN CORNER BASE CABINETS

SKU: LS3312 • LS3612



Specifications:

- » Stainless steel baskets are standard.
- » There are two baskets per cabinet.
- » Both baskets are height adjustable.
- » Lazy susan doors may be mounted to open right or left.
- » For SKU ordering info see page 81

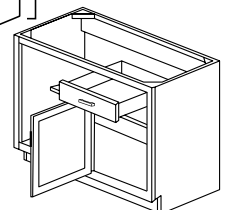
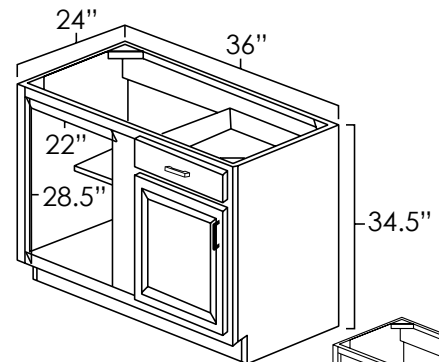
| ASP | BC | ES | HS | MO | NG | PS | WPG | WS |
|-----|----|----|----|----|----|----|-----|----|
| ◆ | ◆ | ◆ | ◆ | ◆ | ◆ | ◆ | ◆ | ◆ |

BLIND CORNER BASE CABINETS

SKU: BBC36

Specifications:

- » Adjustable to 45" wide.
- » May not be pulled farther than 9".
- » 12 7/8" door overlays 11 7/8" frame opening.
- » May be used as a right (R) or left (L) blind setup.
- » Full overlay cabinets must be pulled a minimum of 4" and remaining styles must be pulled a minimum of 3". May be necessary to pull further to allow clearance for door and drawer hardware.
- » For SKU ordering info see page 81

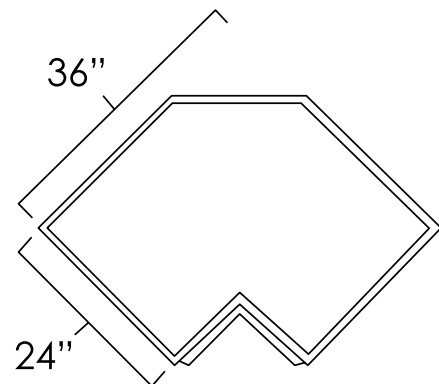
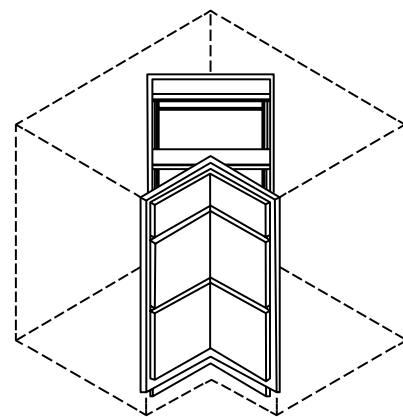
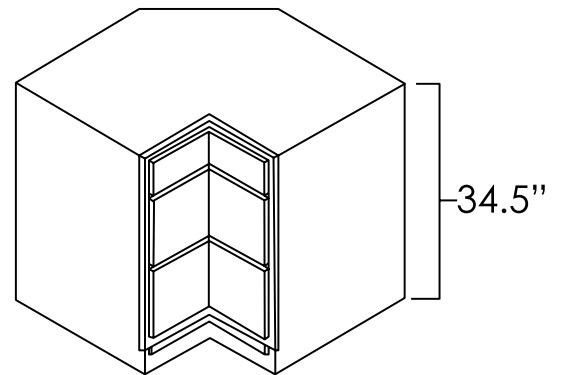


| ASP | BC | ES | HS | MO | NG | PS | WPG | WS |
|-----|----|----|----|----|----|----|-----|----|
| ◆ | ◆ | ◆ | ◆ | ◆ | ◆ | ◆ | ◆ | ◆ |

Bases

CORNER DRAWERS BASE CABINET

SKU: CDB36



BASES

Specifications:

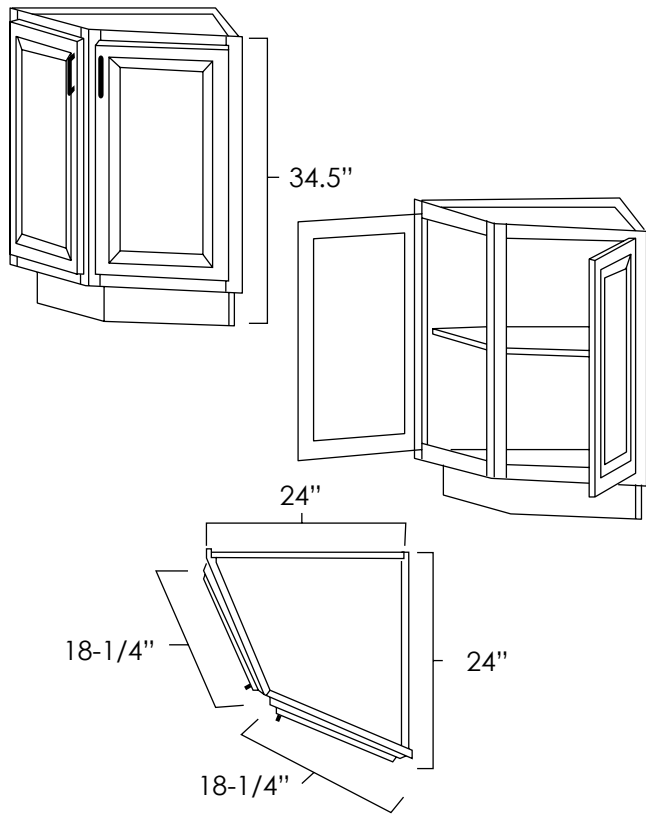
- » This cabinet has three fully functioning, full extension drawers.
- » Glazed Mocha, Bristol Chocolate, Winchester Grey, West Point Grey, Aspen White and White Shaker have one standard drawer on top and two deep drawers below.
- » All drawer bases have a small top drawer and two larger bottom drawers
- » For SKU ordering info see page 81

ASP BC ES HS MO NG PS WPG WS



ANGLED END BASE CABINETS

SKU: BA24



Specifications:

- » One adjustable shelf
- » Three BA24s are used to create the end of an island in Glazed Mocha. Two of the doors have been replaced with 18" x 30" mullion doors and have lights installed to create this decorative look.
- » *For SKU ordering info see page 82*

| ASP | BC | ES | HS | MO | NG | PS | WPG | WS |
|-----|----|----|----|----|----|----|-----|----|
| ◆ | ◆ | ◆ | ◆ | ◆ | ◆ | ◆ | ◆ | ◆ |

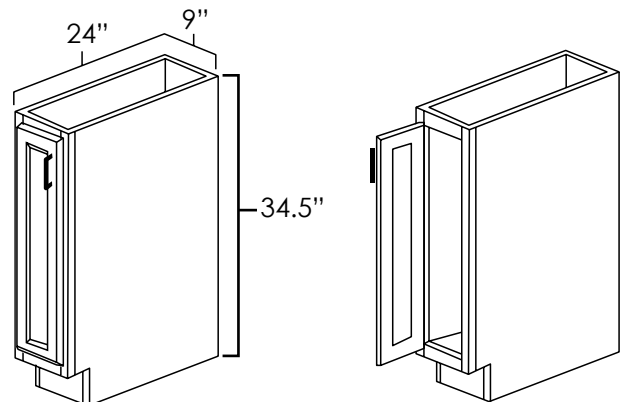
FULL HEIGHT / TRAY BASE CABINET

SKU: TB09

Specifications:

- » There are no shelves in this cabinet or top drawer.
- » Good for trays & cookie sheets
- » *For SKU ordering info see page 82*

| ASP | BC | ES | HS | MO | NG | PS | WPG | WS |
|-----|----|----|----|----|----|----|-----|----|
| ◆ | ◆ | ◆ | ◆ | ◆ | ◆ | ◆ | ◆ | ◆ |



Bases

SPICE DRAWERS BASE CABINET

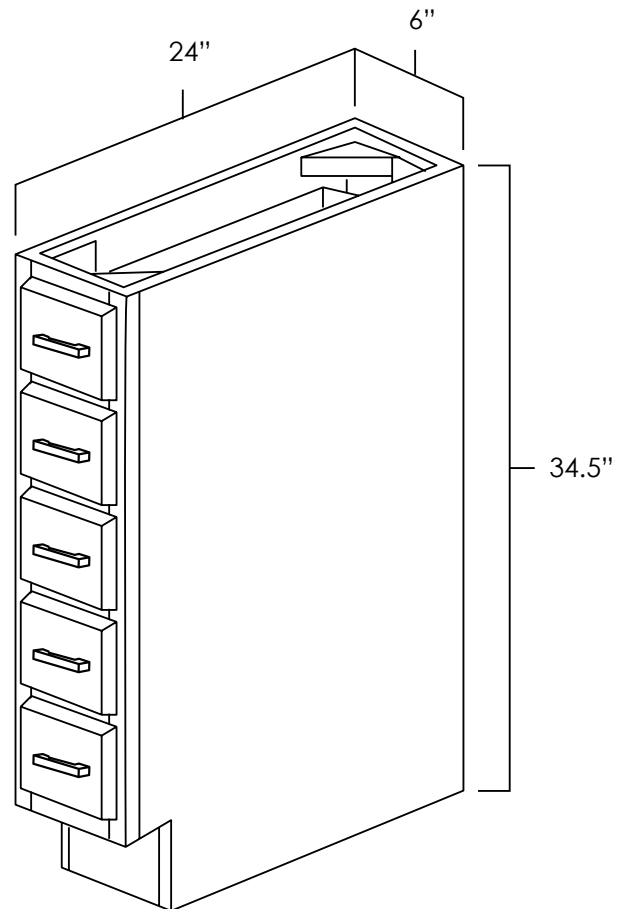
SKU: BSD6

Specifications:

- » This cabinet does not come with any drawer slides.
- » The cabinet can be used without the drawers as a wine rack.
- » For SKU ordering info see page 82

| ASP | BC | ES | HS | MO | NG | PS | WPG | WS |
|-----|----|-----|----|----|----|----|-----|----|
| ◆ | ◆ | N/A | ◆ | ◆ | ◆ | ◆ | ◆ | ◆ |

BASES



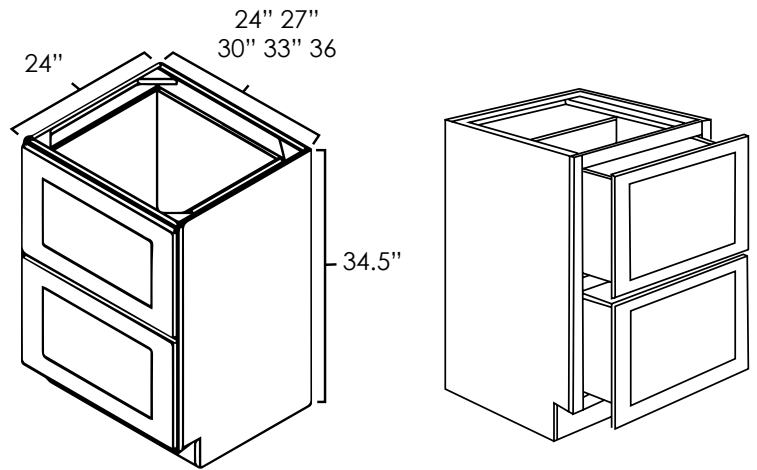
Picture to the left

BSD6 with drawers partially pulled out to show function in Espresso.

2 DRAWER BASE CABINET



BASES



2DB24 • 2DB27 • 2DB30 • 2DB33 • 2DB36

Specifications:

- » Two equal sized deep dovetail drawers
- » *For SKU ordering info see page 82*

| ASP | BC | ES | HS | MO | NG | PS | WPG | WS |
|-----|-----|-----|----|-----|----|----|-----|----|
| N/A | N/A | N/A | ◆ | N/A | ◆ | ◆ | ◆ | ◆ |

EASY REACH BASE CABINET

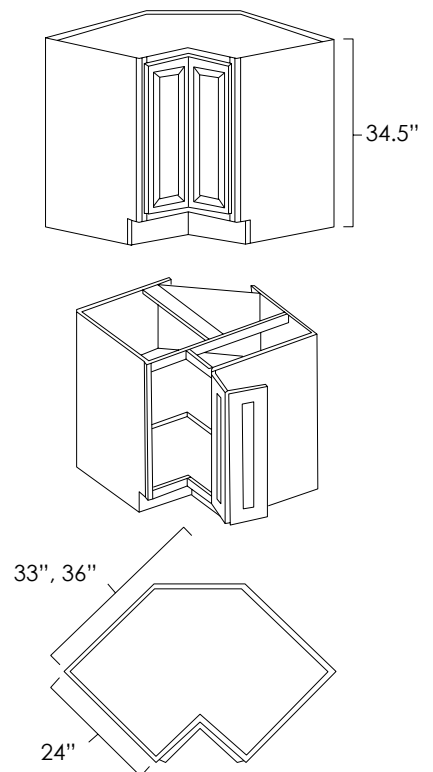


BER33 • BER36

Specifications:

- » One ½ depth adjustable (non-removable) shelf
- » Decorative hardware screws must be countersunk to prevent scratching of adjacent cabinet
- » *For SKU ordering info see page 82*

| ASP | BC | ES | HS | MO | NG | PS | WPG | WS |
|-----|-----|-----|----|-----|----|----|-----|----|
| N/A | N/A | N/A | ◆ | N/A | ◆ | ◆ | ◆ | ◆ |



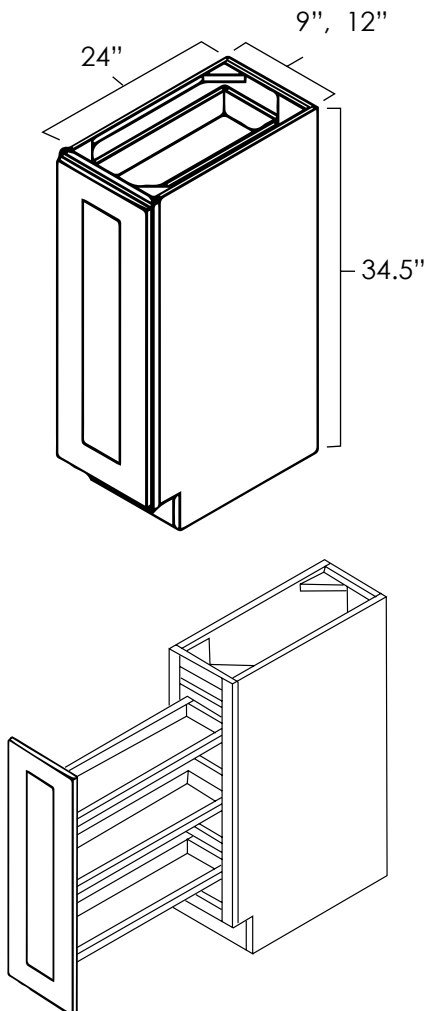
SPICE RACK BASE CABINET

BSR12 • BSR9

Specifications:

- » **BSR9 has 5 7/8" wide opening, BSR12 has 8 7/8" wide opening**
- » **Full height door**
- » **3 fixed shelves (pull out with door)**
- » **Soft Close, Side-mount ball-bearing guides on ALL door styles**
- » **Undermount Guides not available**
- » *For SKU ordering info see page 83*

| ASP | BC | ES | HS | MO | NG | PS | WPG | WS |
|-----|-----|-----|----|-----|----|----|-----|----|
| N/A | N/A | N/A | ◆ | N/A | ◆ | ◆ | ◆ | ◆ |

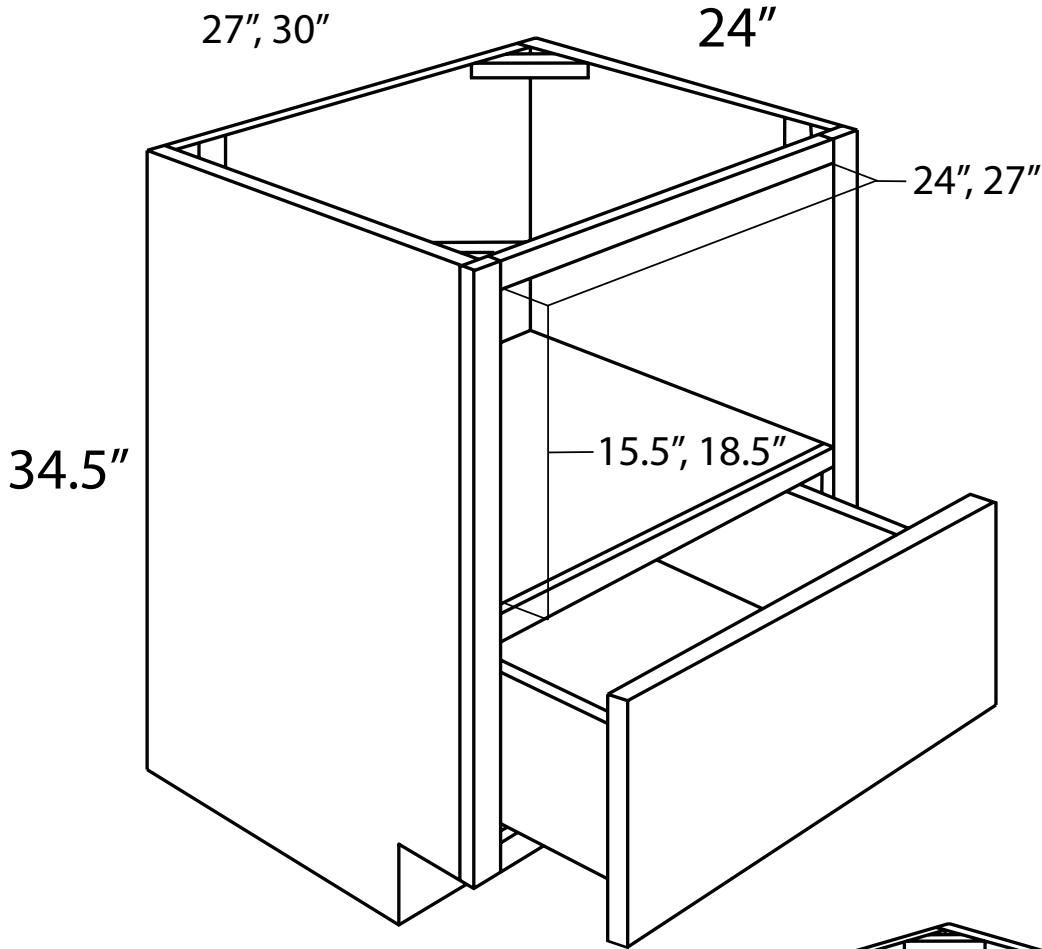


BASES

BASE MICROWAVE CABINET

SKU: BMC27 • BMC30

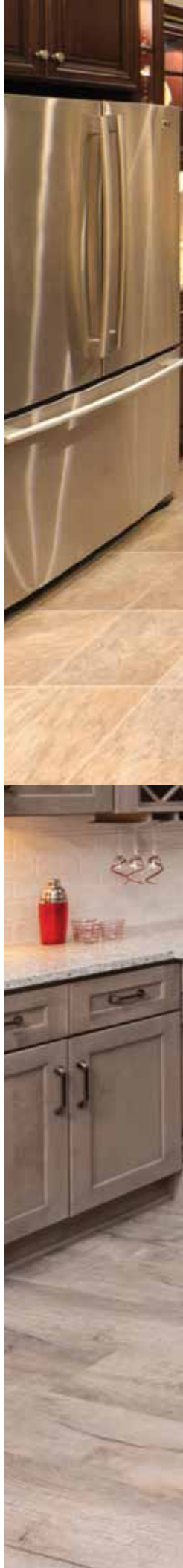
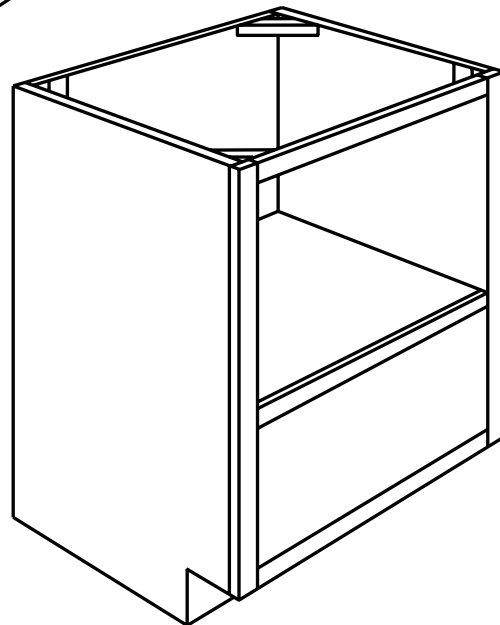
BASES



Specifications:

- » Finished solid wood front
- » 1 Soft-close drawer
- » Dovetail drawer construction
- » Solid wood construction
- » *For SKU ordering info see page 82*

| ASP | BC | ES | HS | MO | NG | PS | WPG | WS |
|-----|-----|-----|----|-----|----|----|-----|----|
| ◆ | N/A | N/A | ◆ | N/A | ◆ | ◆ | ◆ | ◆ |



Bases

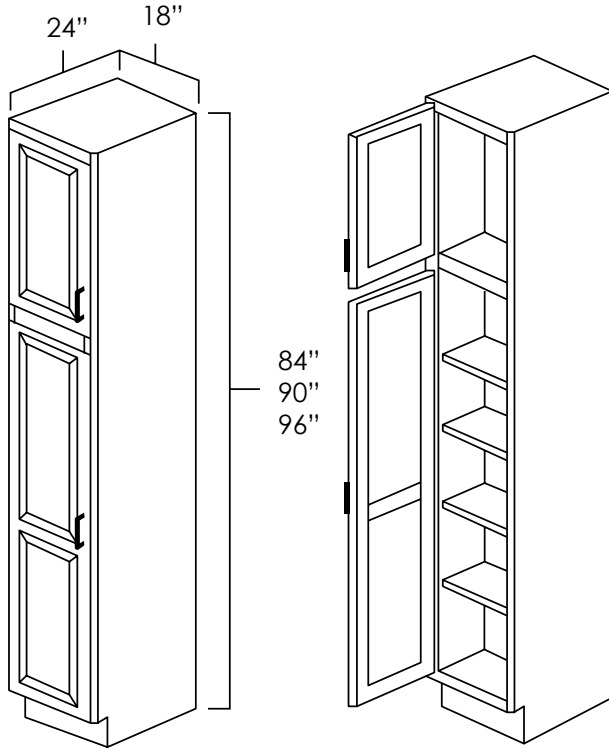


BASES



18" WIDE UTILITY CABINETS

SKU: UC1884 • UC1890 • UC1896



Specifications:

- » Four adjustable shelves can be used in either the top or bottom section.
- » Bottom section measures 54" tall.
- » These cabinets are 24" deep.
- » For SKU ordering info see page 83

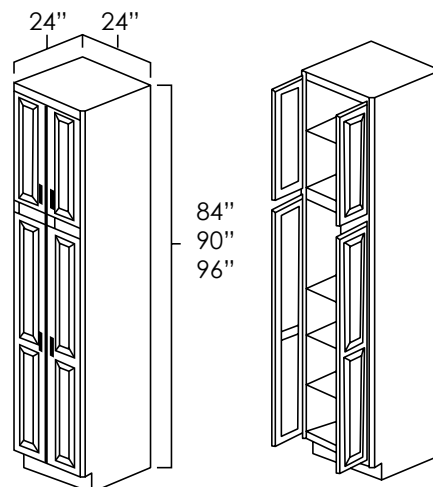
| ASP | BC | ES | HS | MO | NG | PS | WPG | WS |
|-----|----|----|----|----|----|----|-----|----|
| ◆ | ◆ | ◆ | ◆ | ◆ | ◆ | ◆ | ◆ | ◆ |

24" WIDE UTILITY CABINETS

SKU: UC2484 • UC2490 • UC2496

Specifications:

- » Four adjustable shelves can be used in either the top or bottom section.
- » Bottom section measures 54" tall.
- » These cabinets are 24" deep.
- » For SKU ordering info see page 83



| ASP | BC | ES | HS | MO | NG | PS | WPG | WS |
|-----|----|----|----|----|----|----|-----|----|
| ◆ | ◆ | ◆ | ◆ | ◆ | ◆ | ◆ | ◆ | ◆ |



Talls

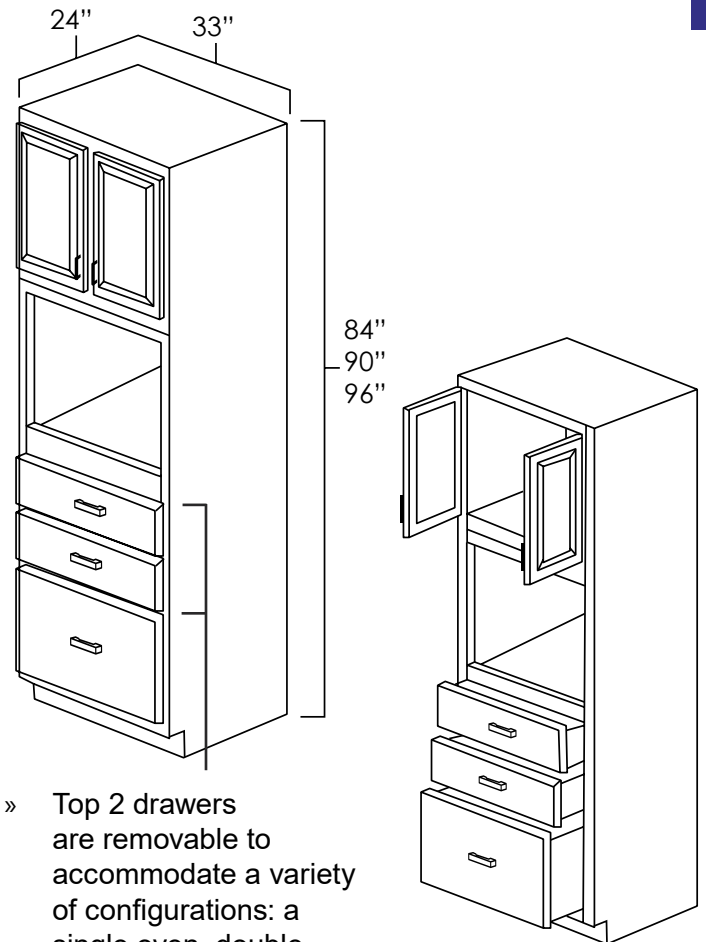
UNIVERSAL OVEN CABINETS

SKU: UOC3384 • UOC3390 • UOC3396

Specifications:

- » The cut out opening measures 28.5" x 22".
- » Will fit any standard size oven.
- » These cabinets are 24" deep.
- » Can be arranged as a single oven, double oven, or oven/microwave combination by removing the necessary drawers and cutting to fit.
- » Butt doors on all universal oven cabinets.
- » The top two drawers are standard drawers while the bottom is a deeper drawer.
- » For SKU ordering info see page 83

| ASP | BC | ES | HS | MO | NG | PS | WPG | WS |
|-----|----|----|----|----|----|----|-----|----|
| ◆ | ◆ | ◆ | ◆ | ◆ | ◆ | ◆ | ◆ | ◆ |



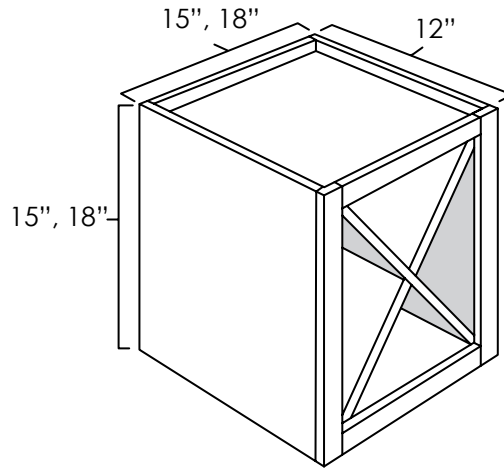
- » Top 2 drawers are removable to accommodate a variety of configurations: a single oven, double oven, or oven/microwave combination

WINE STORAGE CUBE

SKU: WINESC1515 • WINESC1818

Specifications:

- » Matching finished interior on all door styles
- » All cubes are 12" deep
- » Must be installed between two cabinets, a cabinet and a wall, or mounted to a horizontal surface
- » For SKU ordering info see page 83



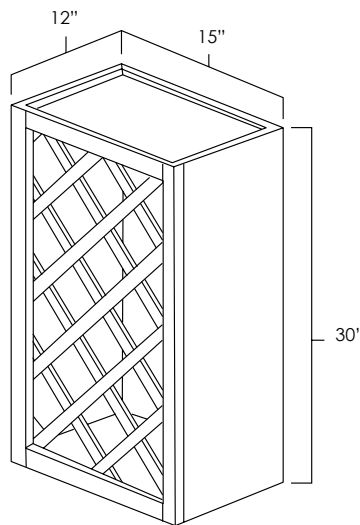
| ASP | BC | ES | HS | MO | NG | PS | WPG | WS |
|-----|-----|-----|----|-----|----|----|-----|----|
| N/A | N/A | N/A | ◆ | N/A | ◆ | ◆ | ◆ | ◆ |

LATTICE WINE RACK

SKU: LWR3015

Specifications:

- » Holds 11 bottles.
- » Can be installed horizontally or vertically.
- » Will hold 3-3/4" diameter bottles.
- » For SKU ordering info see page 83



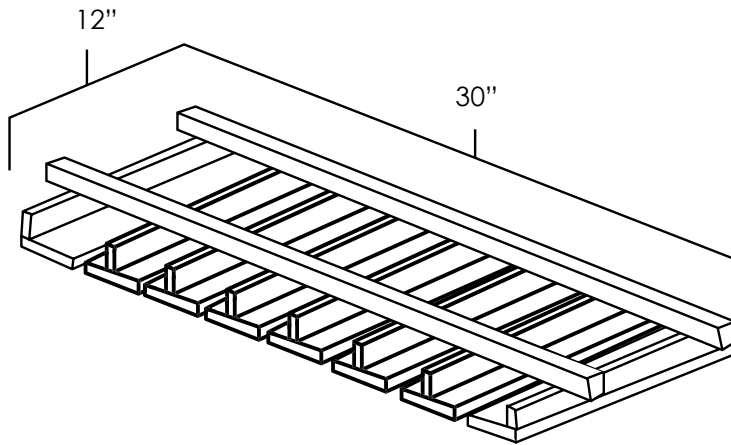
| ASP | BC | ES | HS | MO | NG | PS | WPG | WS |
|-----|----|----|----|----|----|----|-----|----|
| ◆ | ◆ | ◆ | ◆ | ◆ | ◆ | ◆ | ◆ | ◆ |

ACCESSORIES



STEM GLASS HOLDER

SKU: SHG



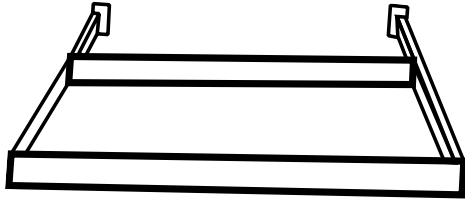
Specifications:

- » Solid wood.
- » Mounts to bottom of wall cabinet.
- » Can be cut to fit smaller cabinets.
- » Fitted to mount under any 30" wide standard, stacker, or bridge wall cabinet.
- » Holds 6 rows of glasses (18 standard size wine glasses)
- » *For SKU ordering info see page 83*

| ASP | BC | ES | HS | MO | NG | PS | WPG | WS |
|-----|----|-----|----|----|----|----|-----|----|
| ◆ | ◆ | N/A | ◆ | ◆ | ◆ | ◆ | ◆ | ◆ |

ROLL OUT TRAYS

SKU: ROT15 • ROT18 • ROT21 • ROT24 • ROT27 • ROT30 • ROT33 • ROT36



Specifications:

- » Partial overlay cabinet lines: order according to the width of the cabinet. EX: ROT21 fits B21cabinet.
- » Full overlay cabinet lines: order according to the width of the cabinet IF it is not being installed between hinges. If it will be installed between hinges then order 1 size smaller and use shims for installation (this is done so the tray will clear the hinges when opening).
- » Drawer glide hardware and wood finish for ROT are the same as the standard drawers in their corresponding cabinet line.
- » May be used in any 24" deep cabinet (Base, Refrigerator Wall, Pantries).
- » *For SKU ordering info see page 85*

SKU: ROT15 • ROT21 • ROT27 • ROT33 • ROT36

| ASP | BC | ES | HS | MO | NG | PS | WPG | WS |
|-----|----|-----|----|----|----|----|-----|----|
| ◆ | ◆ | N/A | ◆ | ◆ | ◆ | ◆ | ◆ | ◆ |

SKU: ROT18 • ROT24 • ROT30

| ASP | BC | ES | HS | MO | NG | PS | WPG | WS |
|-----|----|----|----|----|----|----|-----|----|
| ◆ | ◆ | ◆ | ◆ | ◆ | ◆ | ◆ | ◆ | ◆ |



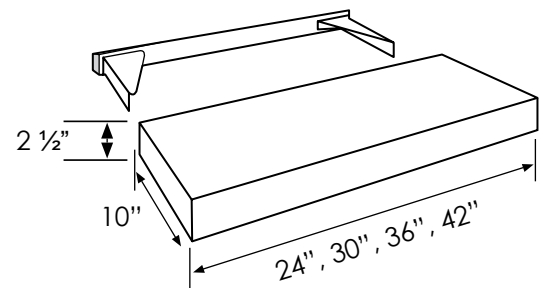
ACCESSORIES

FINISHED FLOATING SHELF

SKU: FFS24 • FFS30 • FFS36 • FFS42

Specifications:

- » **Not trimmable**
- » **Install as floating or between two cabinets or between one cabinet and a wall**
- » **Finished to match on front, sides, top, and bottom**
- » **Max load = 15 lbs per linear foot**
- » *For SKU ordering info see page 84*

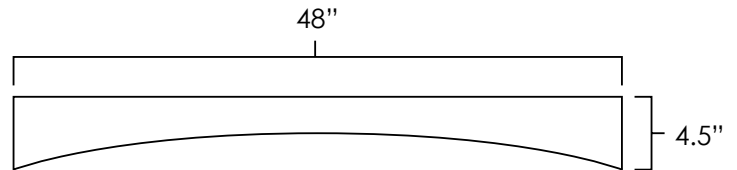


| ASP | BC | ES | HS | MO | NG | PS | WPG | WS |
|-----|-----|-----|----|-----|----|----|-----|----|
| N/A | N/A | N/A | ◆ | N/A | ◆ | ◆ | ◆ | ◆ |

Accessories

ARCHED VALANCES

SKU: VA48



Specifications:

- » Can be trimmed down to needed size.
- » For SKU ordering info see page 84

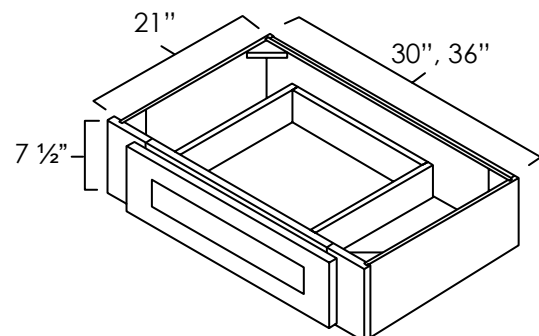
| ASP | BC | ES | HS | MO | NG | PS | WPG | WS |
|-----|----|-----|----|----|----|----|-----|----|
| ◆ | ◆ | N/A | ◆ | ◆ | ◆ | ◆ | ◆ | ◆ |

UNDER COUNTER KNEE DRAWERS

SKU: UCD30 • UCD36

Specifications:

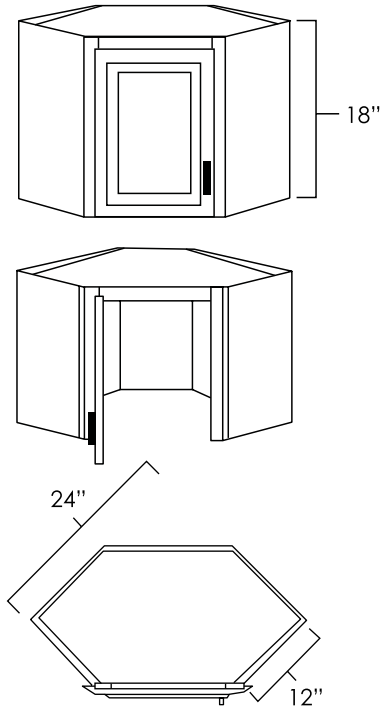
- » Drawer unit designed to be installed under counter to create a desk area.
- » These drawers will install beside either vanity cabinets (21" depth) or standard base cabinets (24" depth).
- » For SKU ordering info see page 84



| ASP | BC | ES | HS | MO | NG | PS | WPG | WS |
|-----|-----|-----|----|-----|----|----|-----|----|
| N/A | N/A | N/A | ◆ | N/A | ◆ | ◆ | ◆ | ◆ |

APPLIANCE GARAGE

SKU: AG2418



Specifications:

- » Designed for installation on countertop.
- » Fits directly below a wall diagonal corner cabinet.
- » There are no shelves in this cabinet.
- » *For SKU ordering info see page 84*

| ASP | BC | ES | HS | MO | NG | PS | WPG | WS |
|-----|----|-----|----|----|----|----|-----|----|
| ◆ | ◆ | N/A | ◆ | ◆ | ◆ | ◆ | ◆ | ◆ |

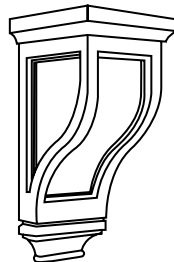
CORBELS

SKU: CBLPN2 • CBLPN3

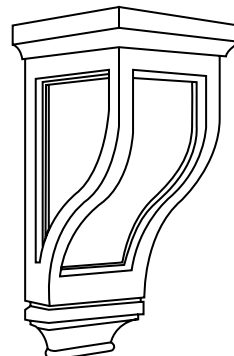
Specifications:

- » Available in 2 size options
- » *For SKU ordering info see page 84*

| ASP | BC | ES | HS | MO | NG | PS | WPG | WS |
|-----|----|-----|----|----|----|----|-----|----|
| ◆ | ◆ | N/A | ◆ | ◆ | ◆ | ◆ | ◆ | ◆ |



Small
Width: 4-3/4"
Depth: 5"
Height: 9-1/2"

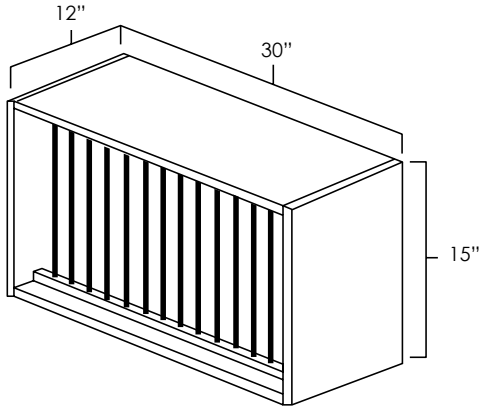


Large
Width: 6-1/4"
Depth: 6-1/2"
Height: 13-1/4"

Accessories

PLATE RACK

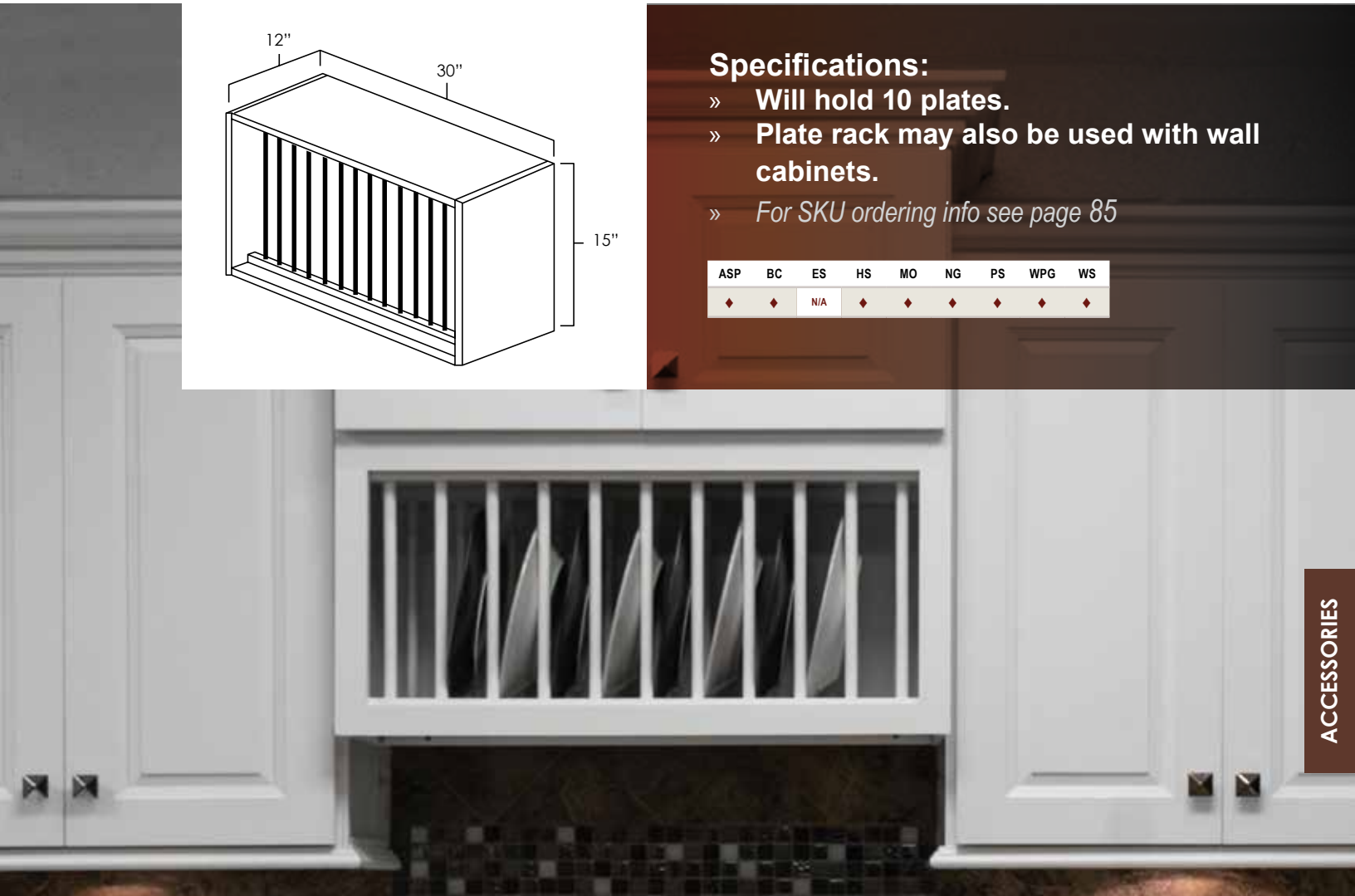
SKU: PR3015



Specifications:

- » Will hold 10 plates.
- » Plate rack may also be used with wall cabinets.
- » For SKU ordering info see page 85

| ASP | BC | ES | HS | MO | NG | PS | WPG | WS |
|-----|----|-----|----|----|----|----|-----|----|
| ◆ | ◆ | N/A | ◆ | ◆ | ◆ | ◆ | ◆ | ◆ |



ACCESSORIES

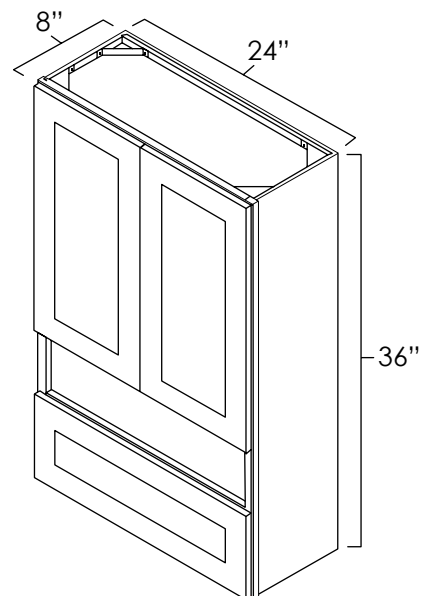
TOILET TOPPER

SKU: TT2436

Specifications:

- » Butt Doors on top
- » Tilt Out Drawer on bottom
- » Opening between doors and tilt out drawer has a matching finish
- » Opening is 20 7/8" wide x 5 3/4" tall
- » For SKU ordering info see page 85

| ASP | BC | ES | HS | MO | NG | PS | WPG | WS |
|-----|-----|-----|----|-----|----|----|-----|----|
| N/A | N/A | N/A | ◆ | N/A | ◆ | ◆ | ◆ | ◆ |

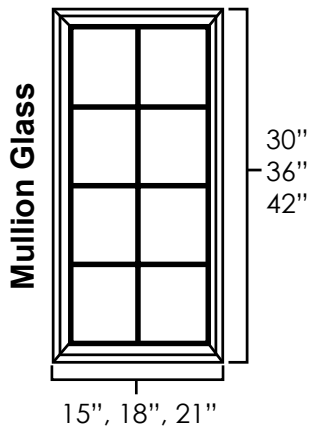


SINGLE GLASS DOORS

SKU: MD1530 • MD1830 • MD2130 • MD1536 • MD1836 • MD2136 • MD1542 • MD1842 • MD2142 • PG1530 • PG1830 • PG2130 • PG1536 • PG1836 • PG2136 • PG1542 • PG1842 • PG2142



ACCESSORIES



Specifications:

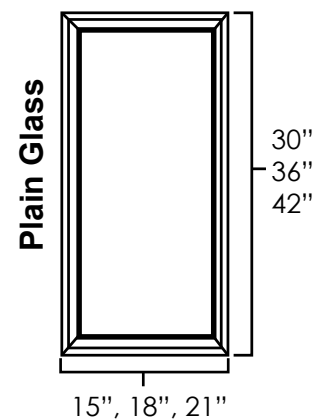
- » Match the profile of the selected door style.
- » The information following MD in the sku indicate the size / type of cabinet the door will fit.
EX: MD2442 fits a W2442.
EX: MDWDC36 fits a WDC2436.
- » 30" and 36" high cabinets will have 6 panes while 42" high cabinets will have 8.
For SKU ordering info see page 85

MD (Mullion)

| ASP | BC | ES | HS | MO | NG | PS | WPG | WS |
|-----|----|-----|-----|----|-----|----|-----|----|
| N/A | + | N/A | N/A | + | N/A | + | N/A | + |

PG (Plain Glass)

| ASP | BC | ES | HS | MO | NG | PS | WPG | WS |
|-----|-----|-----|----|-----|----|----|-----|----|
| N/A | N/A | N/A | + | N/A | + | + | + | + |



SET OF DOUBLE GLASS DOORS

SKU: MD2430 • MD3030 • MD3630 • MD2436 • MD3036 • MD3636 • MD2442 • MD3042 • MD3642 • PG2430 • PG3030 • PG3630 • PG2436 • PG3036 • PG3636 • PG2442 • PG3042 • PG3642

Specifications:

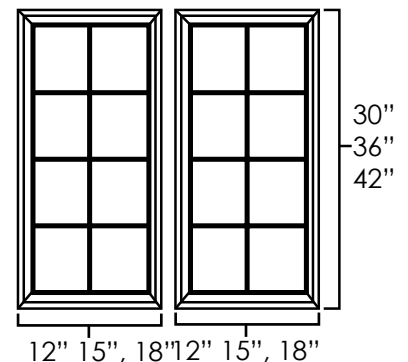
- » Match the profile of the selected door style.
- » The information following MD in the sku indicate the size / type of cabinet the door will fit.
EX: MD2442 fits a W2442.
EX: MDWDC36 fits a WDC2436.
- » 30" and 36" high cabinets will have 6 panes while 42" high cabinets will have 8.
- » *For SKU ordering info see page 86*

MD (Mullion)

| ASP | BC | ES | HS | MO | NG | PS | WPG | WS |
|-----|----|-----|-----|----|-----|----|-----|----|
| N/A | + | N/A | N/A | + | N/A | + | N/A | + |

PG (Plain Glass)

| ASP | BC | ES | HS | MO | NG | PS | WPG | WS |
|-----|-----|-----|----|-----|----|----|-----|----|
| N/A | N/A | N/A | + | N/A | + | + | + | + |



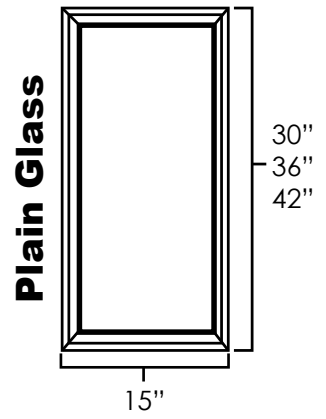
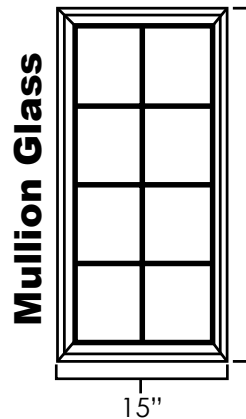
Accessories



ACCESSORIES

SINGLE GLASS DIAGONAL DOORS

SKU: MDWDC30 • MDWDC36 • MDWDC42 • PGWDC30 • PGWDC36 • PGWDC42



» For SKU ordering info see page 86

MD (Mullion)

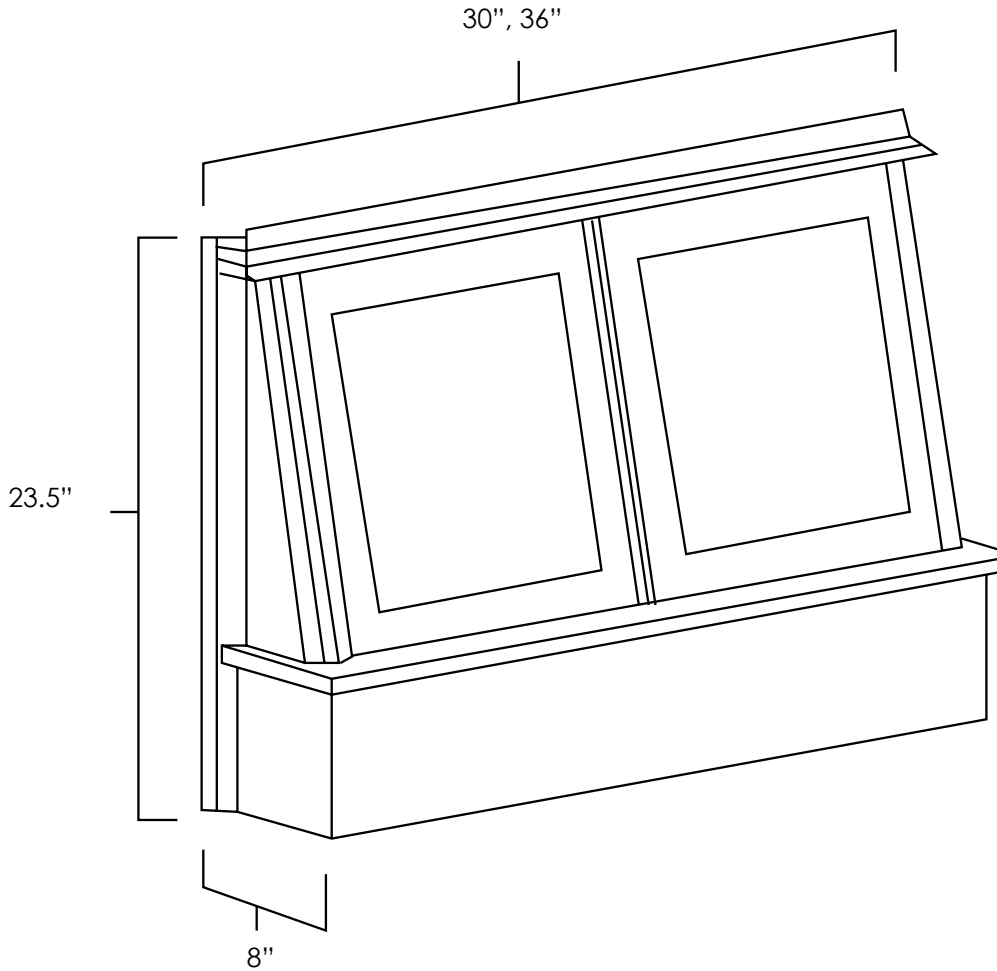
| ASP | BC | ES | HS | MO | NG | PS | WPG | WS |
|-----|----|----|-----|----|-----|----|-----|----|
| N/A | + | + | N/A | + | N/A | + | N/A | + |

PG (Plain Glass)

| ASP | BC | ES | HS | MO | NG | PS | WPG | WS |
|-----|-----|----|----|-----|----|----|-----|----|
| + | N/A | + | + | N/A | + | + | + | + |

RANGE HOOD FRONTS

SKU: RHF30 • RHF36



ACCESSORIES



Specifications:

- » Must be installed between two cabinets for support.
- » Before installation of the RHF occurs, the blower should be installed and the depth adjusted using fillers and/or panels to fit the blower.
- » Not available in Espresso Shaker.
- » **INSTALL BLOWER FIRST**
- » *For SKU ordering info see page 85*

SKU: RHF30 • RHF36

| ASP | BC | ES | HS | MO | NG | PS | WPG | WS |
|-----|----|-----|----|----|----|----|-----|----|
| ♦ | ♦ | N/A | ♦ | ♦ | ♦ | ♦ | ♦ | ♦ |

Accessories



ACCESSORIES

WALL END PANEL

SKU: WEP1542

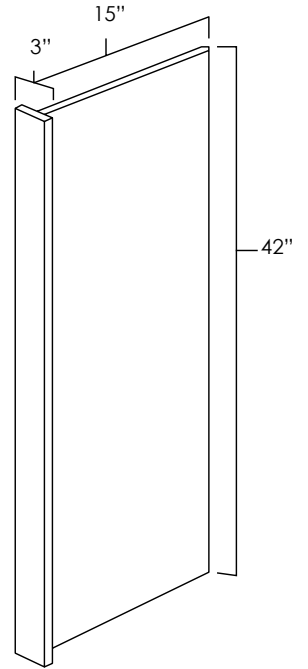


Picture to the left

Wall end panel is used on the side of a wall cabinet with decorative panel pictured in Aspen White

Specifications:

- » 1/2" thick panel with a 3" wide wall filler on the front.
- » Can be trimmed to desired height and/or width.
- » May be used either left or right.
- » For SKU ordering info see page 87



| ASP | BC | ES | HS | MO | NG | PS | WPG | WS |
|-----|----|-----|----|----|----|----|-----|----|
| ◆ | ◆ | N/A | ◆ | ◆ | ◆ | ◆ | ◆ | ◆ |

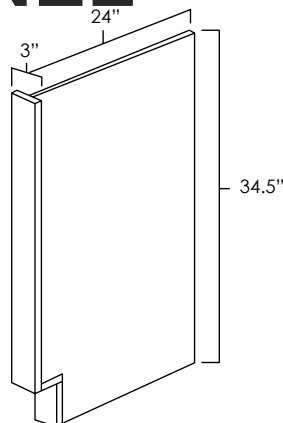
PANELS, FILLERS & TRIMS

BASE END PANEL

SKU: BEP3

Specifications:

- » 1/2" thick panel with a 3" wide base filler on the front.
- » May be used either left or right.
- » For SKU ordering info see page 87



| ASP | BC | ES | HS | MO | NG | PS | WPG | WS |
|-----|----|----|----|----|----|----|-----|----|
| ◆ | ◆ | ◆ | ◆ | ◆ | ◆ | ◆ | ◆ | ◆ |



Panels, Fillers & Trims

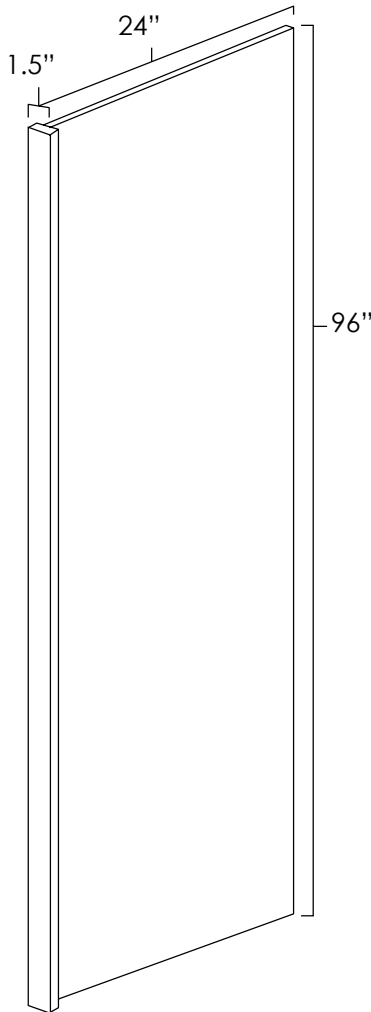
REFRIGERATOR END PANEL

SKU: REP9624

Specifications:

- » **1/2" thick panel with a 1 1/2" wide filler on the front.**
- » **Can be trimmed to desired height and/or width.**
- » **May be used either left or right.**
- » *For SKU ordering info see page 87*

| | | | | | | | | |
|-----|----|----|----|----|----|----|-----|----|
| ASP | BC | ES | HS | MO | NG | PS | WPG | WS |
| ◆ | ◆ | ◆ | ◆ | ◆ | ◆ | ◆ | ◆ | ◆ |



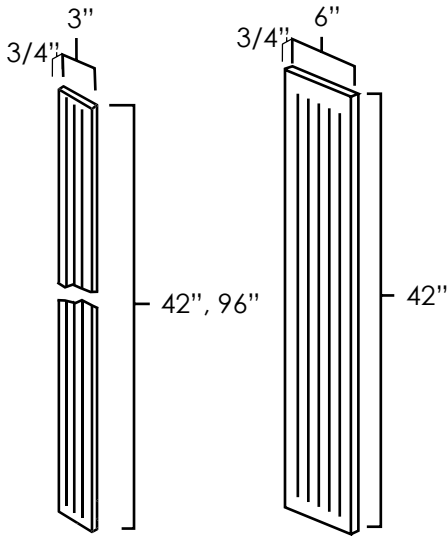
Picture to the right

A refrigerator end panel is used on the side of the fridge with three decorative panels pictured in Bristol Chocolate.



FLUTED WALL FILLERS

SKU: WFF342 • WFF642 • WFF396



Specifications:

- » 3/4" thick.
- » Can be trimmed to desired height.
- » 3" wide fillers have 3 flutes.
- » 6" wide fillers have 5 flutes.
- » Flutes begin 1.5" from the top and end 1.5" from the bottom.
- » *For SKU ordering info see page 87*

| ASP | BC | ES | HS | MO | NG | PS | WPG | WS |
|-----|----|-----|----|----|----|----|-----|----|
| ◆ | ◆ | N/A | ◆ | ◆ | ◆ | ◆ | ◆ | ◆ |

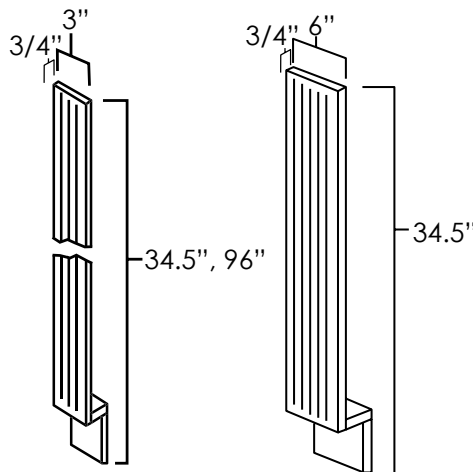


FLUTED BASE FILLERS

SKU: BFF3 • BFF6 • TFF396

Specifications:

- » 3/4" thick.
- » Can be trimmed to desired height.
- » 3" wide fillers have 3 flutes.
- » 6" wide fillers have 5 flutes.
- » Flutes begin 1.5" from the top and end 1.5" from the bottom.
- » The toe kick area is not fluted.
- » *For SKU ordering info see page 87*

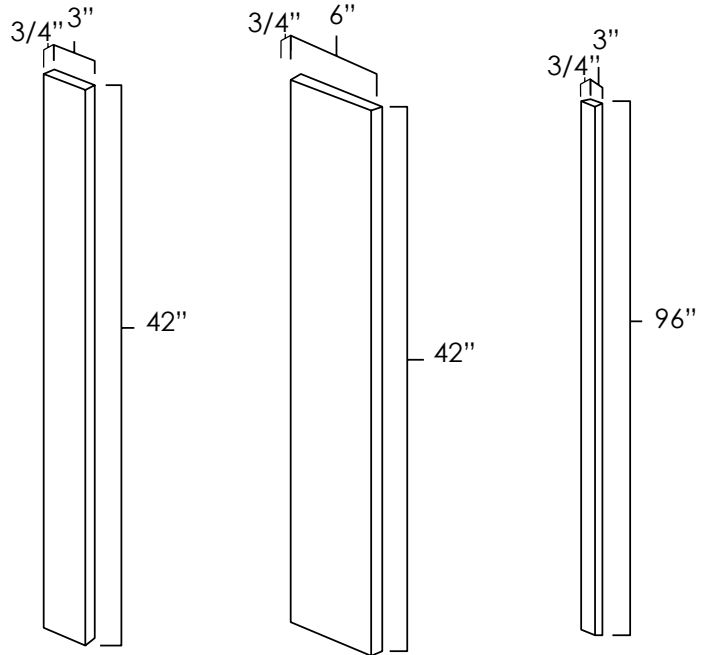


| ASP | BC | ES | HS | MO | NG | PS | WPG | WS |
|-----|----|-----|----|----|----|----|-----|----|
| ◆ | ◆ | N/A | ◆ | ◆ | ◆ | ◆ | ◆ | ◆ |

Panels, Fillers & Trims

WALL FILLERS

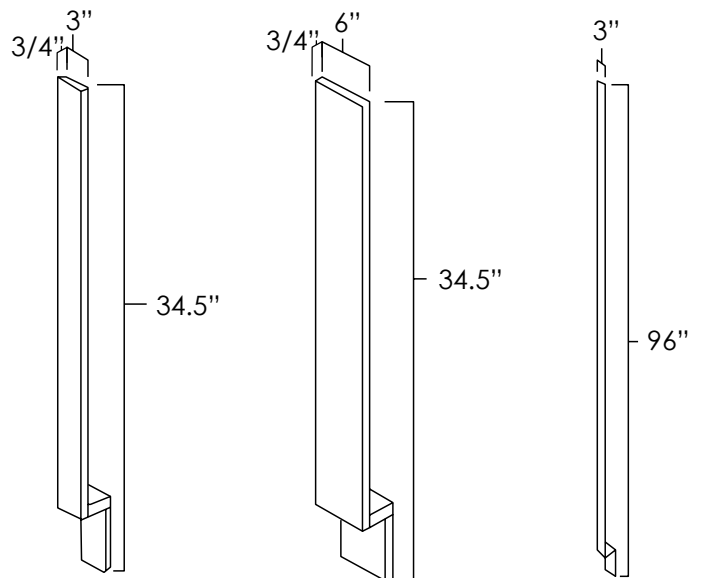
SKU: WF342 • WF642 • WF396



Specifications:

- » 3/4" thick.
- » Can be trimmed to desired height and/or width.
- » For SKU ordering info see page 87

| ASP | BC | ES | HS | MO | NG | PS | WPG | WS |
|-----|----|----|----|----|----|----|-----|----|
| ◆ | ◆ | ◆ | ◆ | ◆ | ◆ | ◆ | ◆ | ◆ |



BASE FILLERS

SKU: BF3 • BF6 • TF396

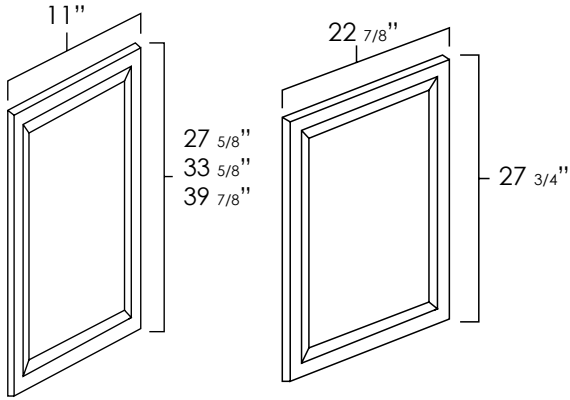
Specifications:

- » 3/4" thick.
- » Can be trimmed to desired height and/or width.
- » For SKU ordering info see page 88

| ASP | BC | ES | HS | MO | NG | PS | WPG | WS |
|-----|----|----|----|----|----|----|-----|----|
| ◆ | ◆ | ◆ | ◆ | ◆ | ◆ | ◆ | ◆ | ◆ |

DECORATIVE END PANELS

SKU: DP1230 • DP1236 • DP1242 • DP2430



Specifications:

- » These three panel sizes will resemble the wall cabinet doors.
- » The last two digits in the item number indicate the height of wall cabinet these panels will fit. Ex: DP1236 will fit the side of a W1236.
- » For SKU ordering info see page 88

| ASP | BC | ES | HS | MO | NG | PS | WPG | WS |
|-----|----|----|----|----|----|----|-----|----|
| ◆ | ◆ | ◆ | ◆ | ◆ | ◆ | ◆ | ◆ | ◆ |

PANELS, FILLERS & TRIMS

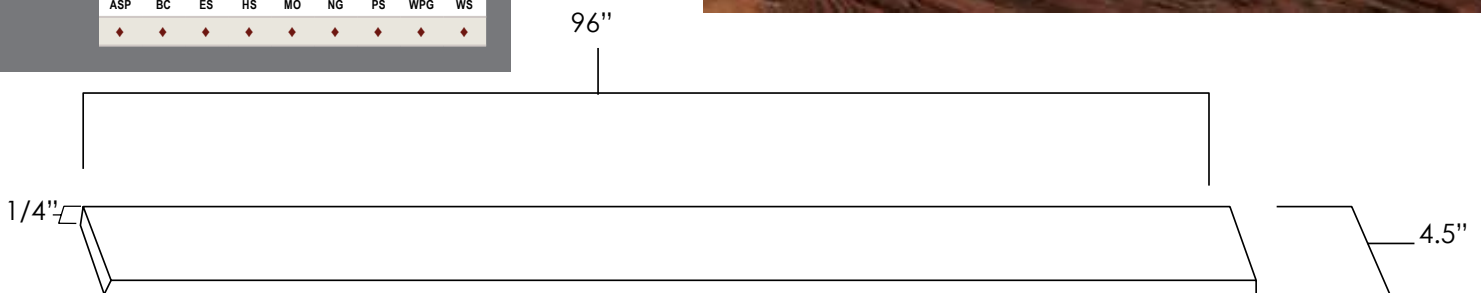
TOE KICK

SKU: TK8

Specifications:

- » 1/4" thick.
- » Can be cut to fit.
- » For SKU ordering info see page 88

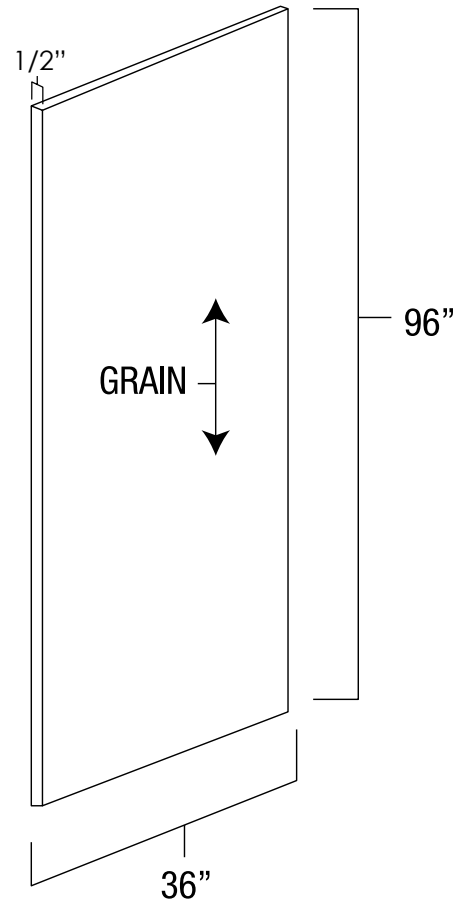
| ASP | BC | ES | HS | MO | NG | PS | WPG | WS |
|-----|----|----|----|----|----|----|-----|----|
| ◆ | ◆ | ◆ | ◆ | ◆ | ◆ | ◆ | ◆ | ◆ |



Panels, Fillers & Trims

ISLAND PANELS

SKU: IS3696



Specifications:

- » 1/2" thick.
- » Can be trimmed to desired height and/or width.
- » For SKU ordering info see page 88

ASP BC ES HS MO NG PS WPG WS



PANELS, FILLERS & TRIMS

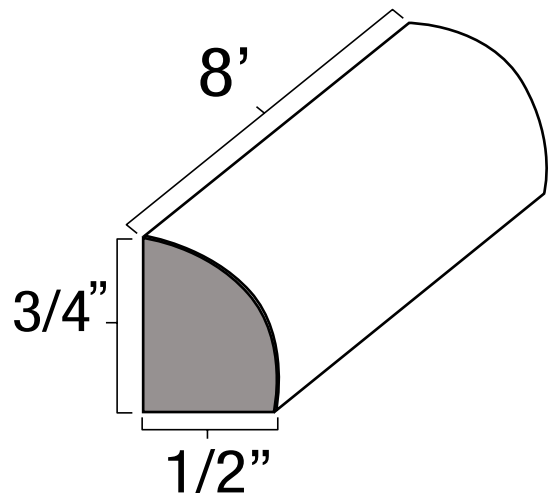
SHOE MOULDING

SKU: SHM8

Specifications:

- » 3/4" tall
- » 1/2" thick
- » Can be trimmed to desired height and/or width.
- » For SKU ordering info see page 88

ASP BC ES HS MO NG PS WPG WS



ROPE INSERT MOULDING

SKU: ROPE8



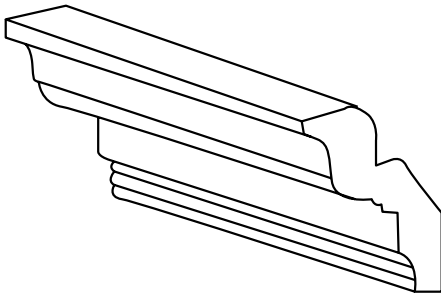
| ASP | BC | ES | HS | MO | NG | PS | WPG | WS |
|-----|----|-----|----|----|----|----|-----|----|
| ◆ | ◆ | N/A | ◆ | ◆ | ◆ | ◆ | ◆ | ◆ |

Specifications:

- » Sold in 8 ft long sections.
- » 9/16th of an inch wide.
- » 1/4 inch thick.
- » Crown molding insert.
- » For SKU ordering info see page 88

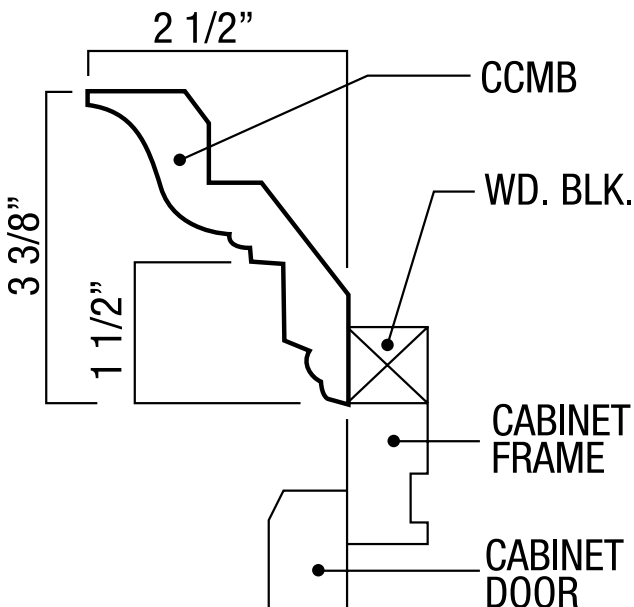
CROWN MOULDING

SKU: LCM8



Specifications:

- » Sold in 8ft long sections.
- » Flat section to accommodate Rope insert.
- » When applying crown to full overlay cabinets a crown backer will be required.
- » For SKU ordering info see page 88



| ASP | BC | ES | HS | MO | NG | PS | WPG | WS |
|-----|----|----|----|----|----|----|-----|----|
| ◆ | ◆ | ◆ | ◆ | ◆ | ◆ | ◆ | ◆ | ◆ |



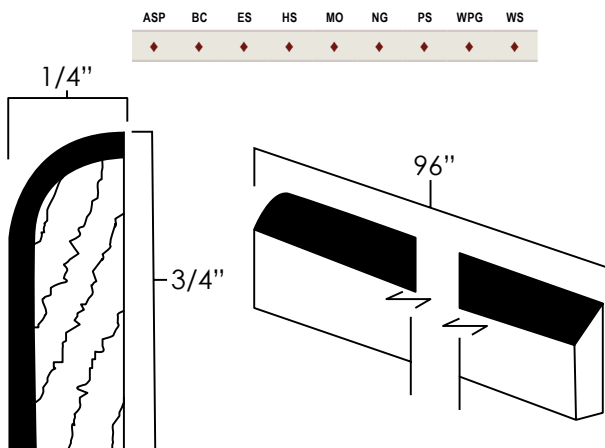
Panels, Fillers & Trims



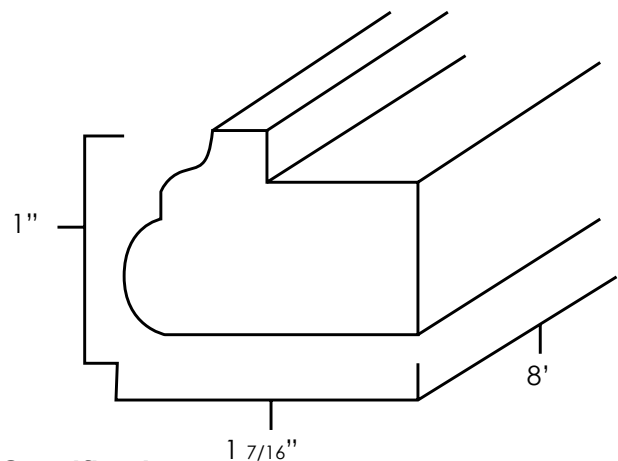
SCRIBE MOULDING **SKU: SM8**

Specifications:

- » Sold in 8 ft long sections.
- » Use behind Light Rail Molding when wrapping around the side of a wall cabinet.
- » For SKU ordering info see page 88



LIGHT RAIL MOULDING **SKU: LRM8**



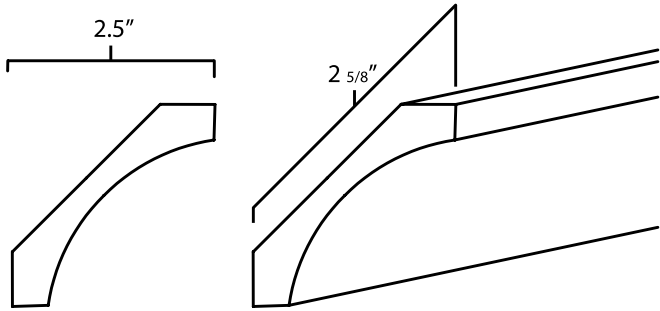
Specifications:

- » Sold in 8 ft long sections.
- » For SKU ordering info see page 89



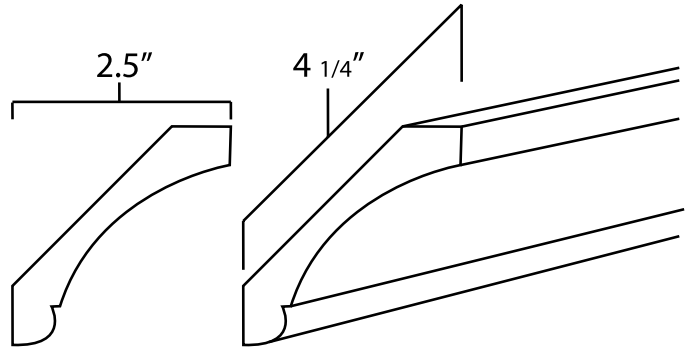
COVE CROWN MOULDING

SKU: LVC LVCD



PS-LVC

WS-LVC

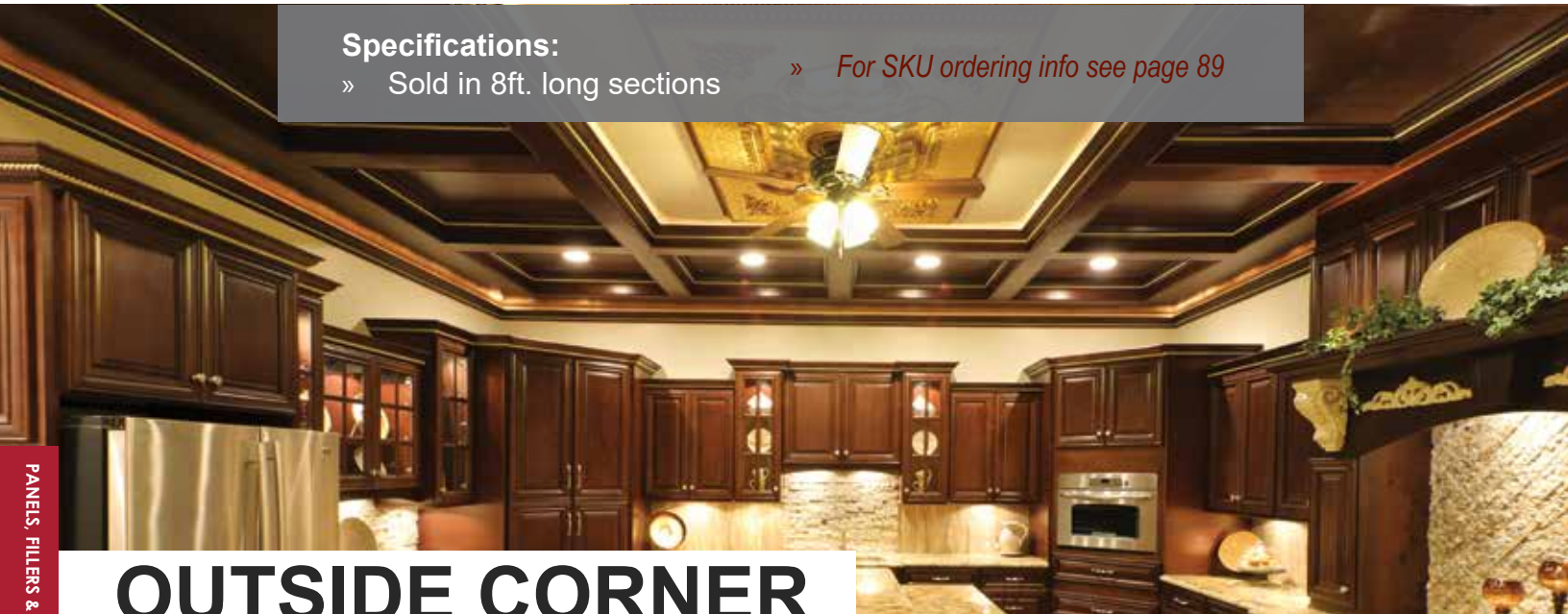


HS-LVCD

Specifications:

» Sold in 8ft. long sections

» For SKU ordering info see page 89



PANELS, FILLERS & TRIMS

OUTSIDE CORNER MOULDING

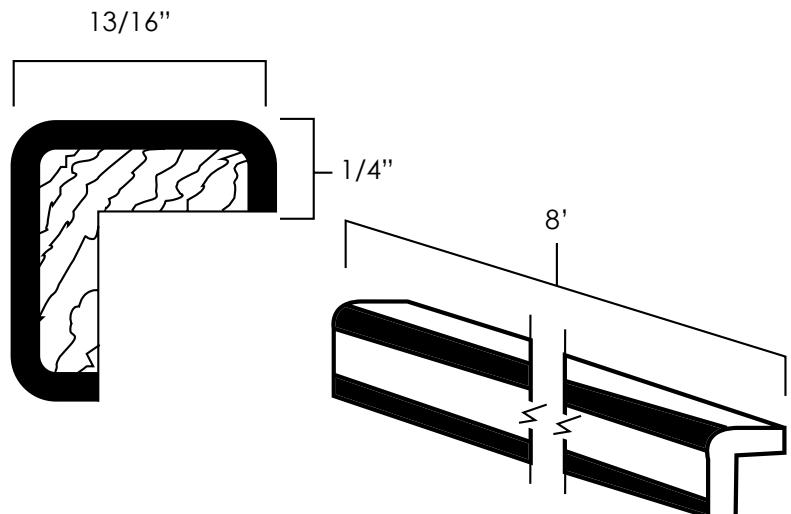
SKU: PCS8

Specifications:

» Sold in 8ft. long sections

» For SKU ordering info see page 89

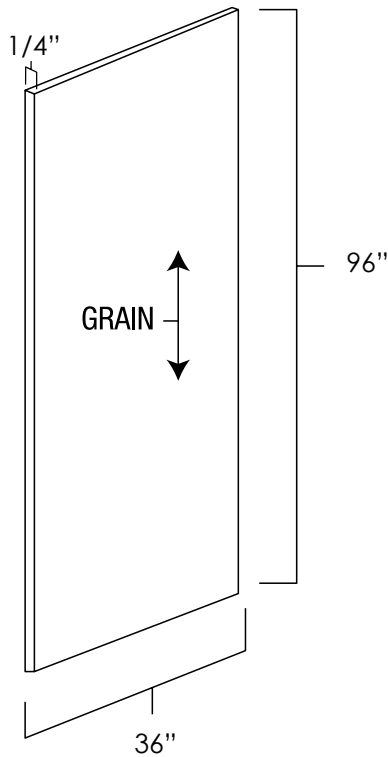
| ASP | BC | ES | HS | MO | NG | PS | WPG | WS |
|-----|----|----|----|----|----|----|-----|----|
| ♦ | ♦ | ♦ | ♦ | ♦ | ♦ | ♦ | ♦ | ♦ |



Panels, Fillers & Trims

WALL SKIN

SKU: WS1542



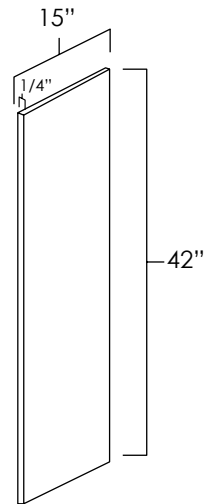
STAINED PLYWOOD

Specifications:

- » Sold in 8ft. long sections
- » 1/4" thick.
- » For SKU ordering info see page 89

| ASP | BC | ES | HS | MO | NG | PS | WPG | WS |
|-----|----|----|----|----|----|----|-----|----|
| ♦ | ♦ | ♦ | ♦ | ♦ | ♦ | ♦ | ♦ | ♦ |

SKU: SPW



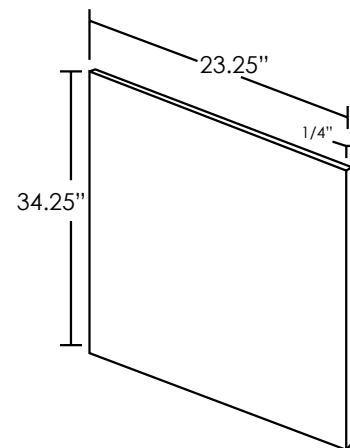
Specifications:

- » 1/4" thick.
- » Can be trimmed to desired height and/or width.
- » For SKU ordering info see page 89

| ASP | BC | ES | HS | MO | NG | PS | WPG | WS |
|-----|----|----|----|----|----|----|-----|----|
| ♦ | ♦ | ♦ | ♦ | ♦ | ♦ | ♦ | ♦ | ♦ |

BASE SKIN

SKU: BS2435



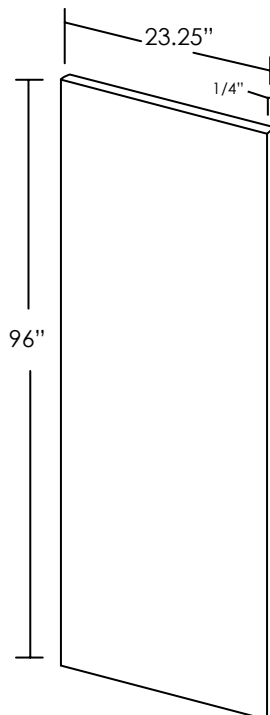
Specifications:

- » 1/4" thick plywood finished to match
- » Field trimmable
- » For SKU ordering info see page 89

| ASP | BC | ES | HS | MO | NG | PS | WPG | WS |
|-----|-----|-----|----|-----|----|-----|-----|-----|
| N/A | N/A | N/A | ♦ | N/A | ♦ | N/A | N/A | N/A |

TALL SKIN

SKU: TS2496



Specifications:

- » 1/4" thick plywood finished to match
- » Field trimmable
- » For SKU ordering info see page 89

| ASP | BC | ES | HS | MO | NG | PS | WPG | WS |
|-----|-----|-----|----|-----|----|-----|-----|-----|
| N/A | N/A | N/A | ♦ | N/A | ♦ | N/A | N/A | N/A |

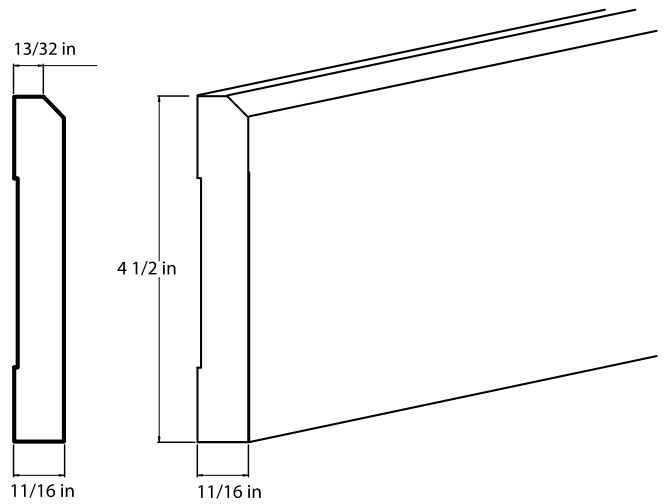
DECORATIVE BASE MOULDING

SKU: DEC004

Specifications:

- » Sold in 8 ft long sections.
- » 4 1/2" inches tall.
- » 11/16 inch thick.
- » For SKU ordering info see page 90

| ASP | BC | ES | HS | MO | NG | PS | WPG | WS |
|-----|-----|-----|----|-----|----|----|-----|----|
| ◆ | N/A | N/A | ◆ | N/A | ◆ | ◆ | ◆ | ◆ |



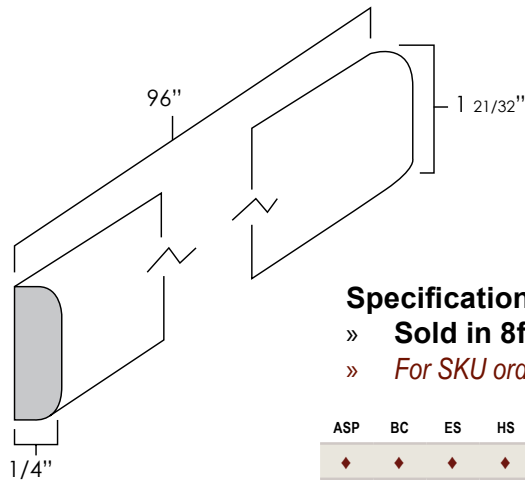
BATTEN MOULDING

SKU: BM8

Specifications:

- » Sold in 8ft. long sections
- » For SKU ordering info see page 89

| ASP | BC | ES | HS | MO | NG | PS | WPG | WS |
|-----|----|----|----|----|----|----|-----|----|
| ◆ | ◆ | ◆ | ◆ | ◆ | ◆ | ◆ | ◆ | ◆ |



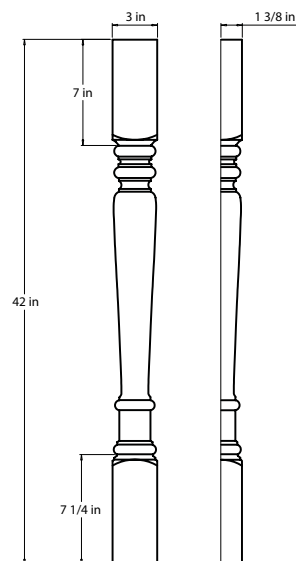
SPLIT CORNER DECORATIVE LEG

SKU: SCDL

Specifications:

- » Sold in 42" long sections.
- » For SKU ordering info see page 90

| ASP | BC | ES | HS | MO | NG | PS | WPG | WS |
|-----|-----|-----|----|-----|----|----|-----|----|
| ◆ | N/A | N/A | ◆ | N/A | ◆ | ◆ | ◆ | ◆ |



PANELS, FILLERS & TRIMS

Panels, Fillers & Trims

MATCHING TALL END PANEL

**SKU: MTEP84
MTEP90 • MTEP96**

Specifications:

- » Attaches to side of tall cabinet
- » 1/4" thick plywood finished to match
- » Field trimmable
- » For SKU ordering info see page 90



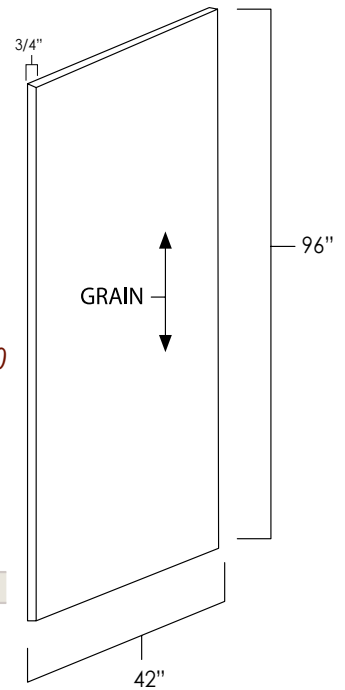
| ASP | BC | ES | HS | MO | NG | PS | WPG | WS |
|-----|-----|-----|----|-----|----|----|-----|----|
| N/A | N/A | N/A | ◆ | N/A | ◆ | ◆ | ◆ | ◆ |

PLYWOOD EDGE BANDED

SKU: PLYEB42

Specifications:

- » Specifications:
- » Grain runs with long side
- » Field trimmable
- » For SKU ordering info see page 90



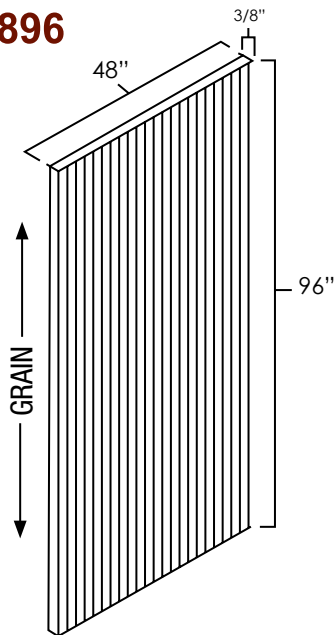
| ASP | BC | ES | HS | MO | NG | PS | WPG | WS |
|-----|-----|-----|----|-----|----|----|-----|----|
| N/A | N/A | N/A | ◆ | N/A | ◆ | ◆ | ◆ | ◆ |

BEAD BOARD

SKU: BBFBP4896

Specifications:

- » 3/8" thick
- » Field trimmable
- » For SKU ordering info see page 90



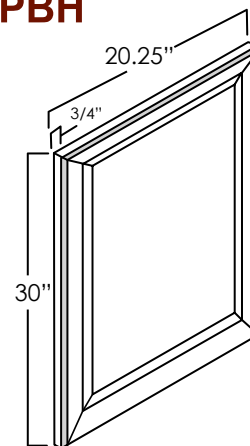
| ASP | BC | ES | HS | MO | NG | PS | WPG | WS |
|-----|-----|-----|----|-----|----|----|-----|----|
| N/A | N/A | N/A | ◆ | N/A | ◆ | ◆ | ◆ | ◆ |

MATCHING VANITY END PANEL

SKU: MVEPBH

Specifications:

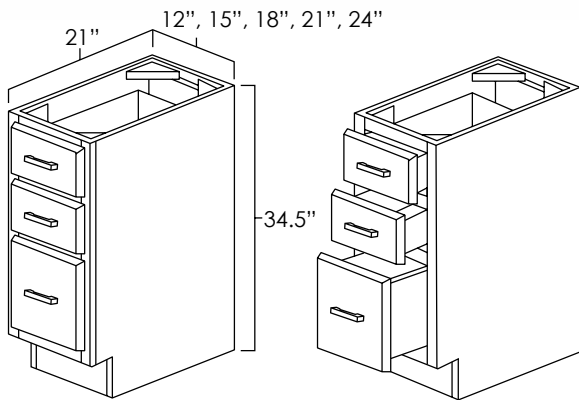
- » Attaches to side of vanity base cabinet
- » Matches style and color of cabinet doors
- » For SKU ordering info see page 90



| ASP | BC | ES | HS | MO | NG | PS | WPG | WS |
|-----|-----|-----|----|-----|----|----|-----|----|
| N/A | N/A | N/A | ◆ | N/A | ◆ | ◆ | ◆ | ◆ |

VANITY DRAWERS BASE CABINETS

SKU: VDB1221 • VDB1521 • VDB1821 • VDB2121 • VDB2421



Specifications:

- » Depth: 21".
- » All styles have one standard drawer on top and two deep drawers below.
- » All three drawers are fully functioning.
- » *For SKU ordering info see page 91*

SKU: VDB1221 • VDB1521 • VDB1821

| ASP | BC | ES | HS | MO | NG | PS | WPG | WS |
|-----|----|----|----|----|----|----|-----|----|
| ◆ | ◆ | ◆ | ◆ | ◆ | ◆ | ◆ | ◆ | ◆ |

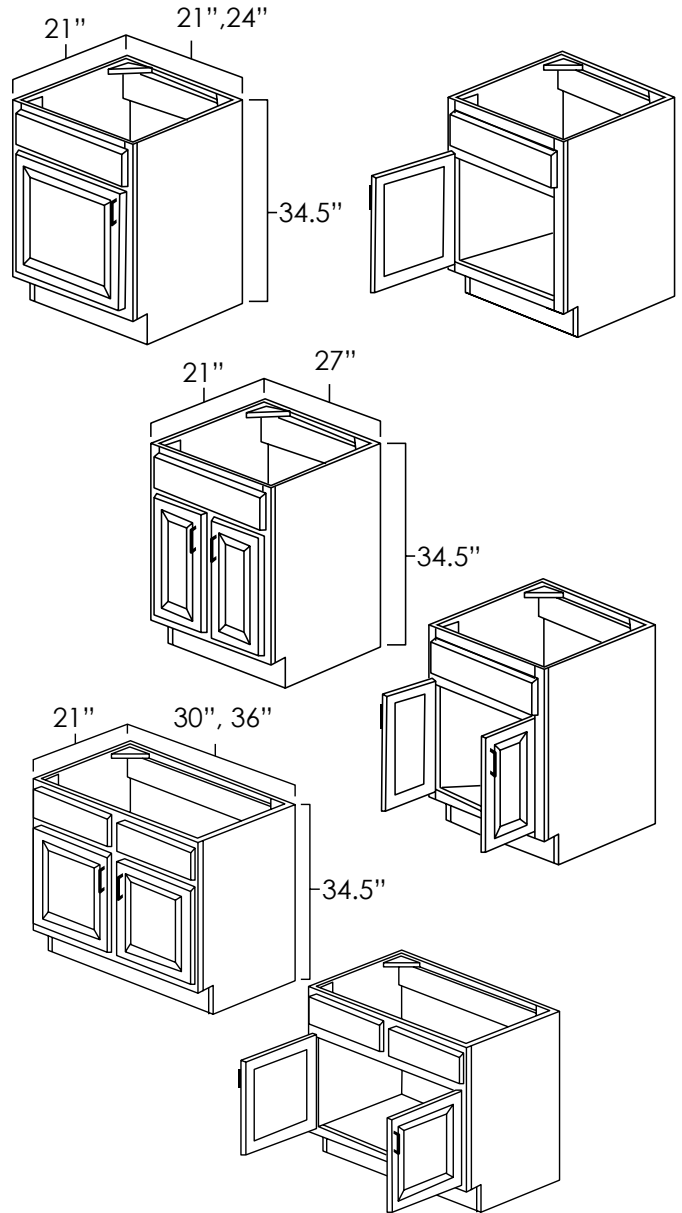
SKU: VDB2121 • VDB2421

| ASP | BC | ES | HS | MO | NG | PS | WPG | WS |
|-----|-----|-----|----|-----|----|----|-----|----|
| ◆ | N/A | N/A | ◆ | N/A | ◆ | ◆ | ◆ | ◆ |

Vanities

VANITY SINK BASE CABINETS

SKU: V2121 • V2421 • V2721 • V3021 • V3621



Specifications:

- » There are no shelves or drawers in these cabinets
- » Butt doors on all three vanity sink bases
- » Depth: 21"
- » For SKU ordering info see page 91

SKU: V2121 • V2721

| ASP | BC | ES | HS | MO | NG | PS | WPG | WS |
|-----|-----|-----|----|-----|----|----|-----|----|
| ◆ | N/A | N/A | ◆ | N/A | ◆ | ◆ | ◆ | ◆ |

SKU: V2421 • V3021 • V3621

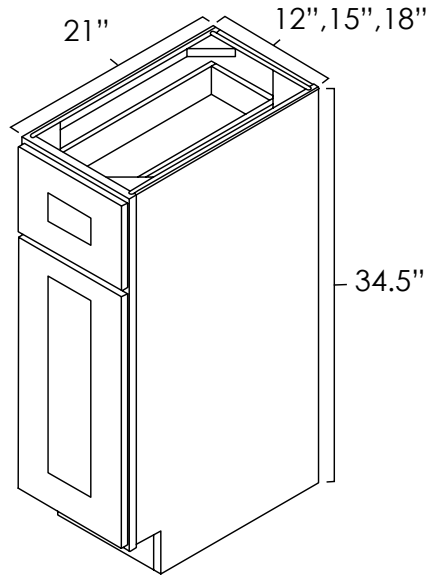
| ASP | BC | ES | HS | MO | NG | PS | WPG | WS |
|-----|----|----|----|----|----|----|-----|----|
| ◆ | ◆ | ◆ | ◆ | ◆ | ◆ | ◆ | ◆ | ◆ |

VANITY BASE

SKU: VB12 • VB15 • VB18

Specifications:

- » One standard height dovetail drawer
- » One Door
- » One 1/2 depth adjustable shelf
- » For SKU ordering info see page 91

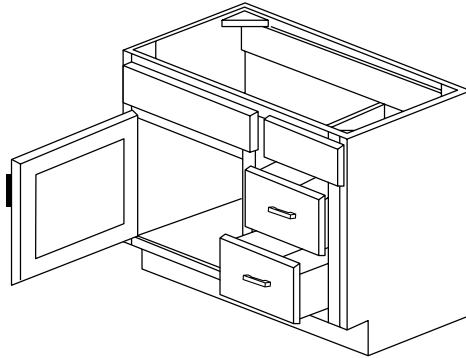
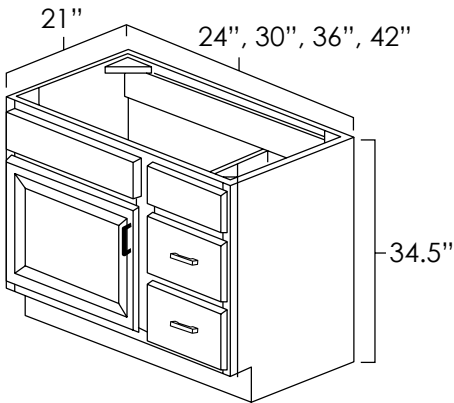


| ASP | BC | ES | HS | MO | NG | PS | WPG | WS |
|-----|-----|-----|----|-----|----|----|-----|----|
| N/A | N/A | N/A | ◆ | N/A | ◆ | ◆ | ◆ | ◆ |



SINGLE DOOR VANITY CABINETS

SKU: V2421DL • V2421DR • V3021DL • V3021DR • V3621DL • V3621DR • V4221DL • V4221DR



Specifications:

- » Depth: 21".
- » There are no shelves in these cabinets.
- » Only the bottom two drawers are functioning.
- » All styles have one standard false drawer front on top and two deep drawers below.
- » **WHEN INDICATING RIGHT (R) or LEFT (L), IT CORRESPONDS TO THE SIDE THE DRAWERS ARE ON WHILE LOOKING AT IT**
- » For SKU ordering info see page 91

SKU: V2421DL • V2421DR

| ASP | BC | ES | HS | MO | NG | PS | WPG | WS |
|-----|-----|-----|----|-----|----|----|-----|----|
| ◆ | N/A | N/A | ◆ | N/A | ◆ | ◆ | ◆ | ◆ |

SKU: V3021DL • V3021DR • V3621DL • V3621DR

| ASP | BC | ES | HS | MO | NG | PS | WPG | WS |
|-----|----|----|----|----|----|----|-----|----|
| ◆ | ◆ | ◆ | ◆ | ◆ | ◆ | ◆ | ◆ | ◆ |

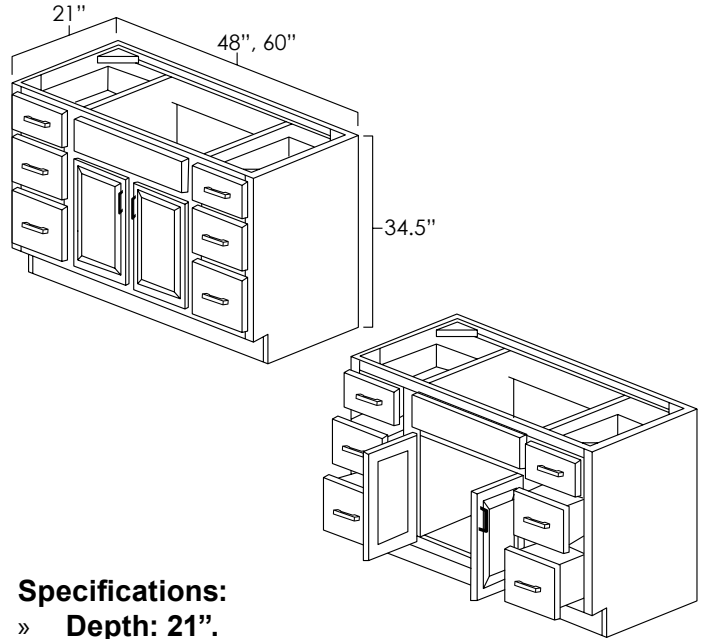
SKU: V4221DL • V4221DR

| ASP | BC | ES | HS | MO | NG | PS | WPG | WS |
|-----|-----|-----|----|-----|----|----|-----|----|
| N/A | N/A | N/A | ◆ | N/A | ◆ | ◆ | ◆ | ◆ |

Vanities

DOUBLE DOOR VANITY CABINETS

SKU: V4821DD • V6021DD



Specifications:

- » Depth: 21".
- » There are no shelves in these cabinets.
- » All six drawers are fully functioning.
- » All styles have two standard drawers on top and four deep drawers below.
- » Butt doors on both vanity combinations.
- » For SKU ordering info see page 91

SKU: V4821DD

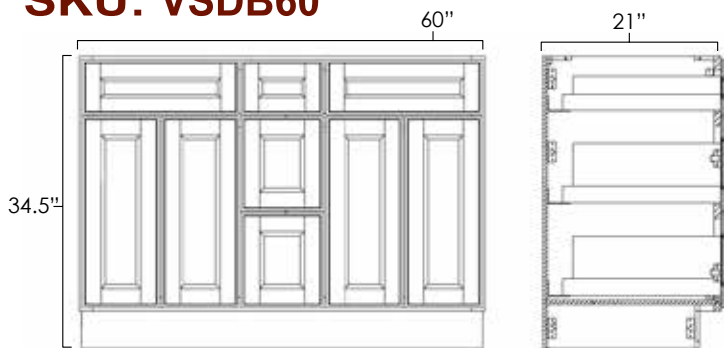
| ASP | BC | ES | HS | MO | NG | PS | WPG | WS |
|-----|----|----|----|----|----|----|-----|----|
| ◆ | ◆ | ◆ | ◆ | ◆ | ◆ | ◆ | ◆ | ◆ |

SKU: V6021DD

| ASP | BC | ES | HS | MO | NG | PS | WPG | WS |
|-----|----|-----|----|----|----|----|-----|----|
| ◆ | ◆ | N/A | ◆ | ◆ | ◆ | ◆ | ◆ | ◆ |

DOUBLE SINK VANITY CABINETS

SKU: VSDB60



» For SKU ordering info see page 91

| ASP | BC | ES | HS | MO | NG | PS | WPG | WS |
|-----|-----|-----|----|-----|----|----|-----|----|
| ◆ | N/A | N/A | ◆ | N/A | ◆ | ◆ | ◆ | ◆ |



VANITIES

TOUCH-UP KITS

SKU: TUK

Included In Kit:

- » One Wax Putty Stick
- » One Touch-Up Marker
- » For SKU ordering info see page 92

| | | | | | | | | |
|-----|----|----|----|----|----|----|-----|----|
| ASP | BC | ES | HS | MO | NG | PS | WPG | WS |
| ◆ | ◆ | ◆ | ◆ | ◆ | ◆ | ◆ | ◆ | ◆ |



Miscellaneous

DISPLAY/SAMPLE DOORS

SKU: DD



ASP



BC



ES



HS



MO



NG



PS



WPG



WS

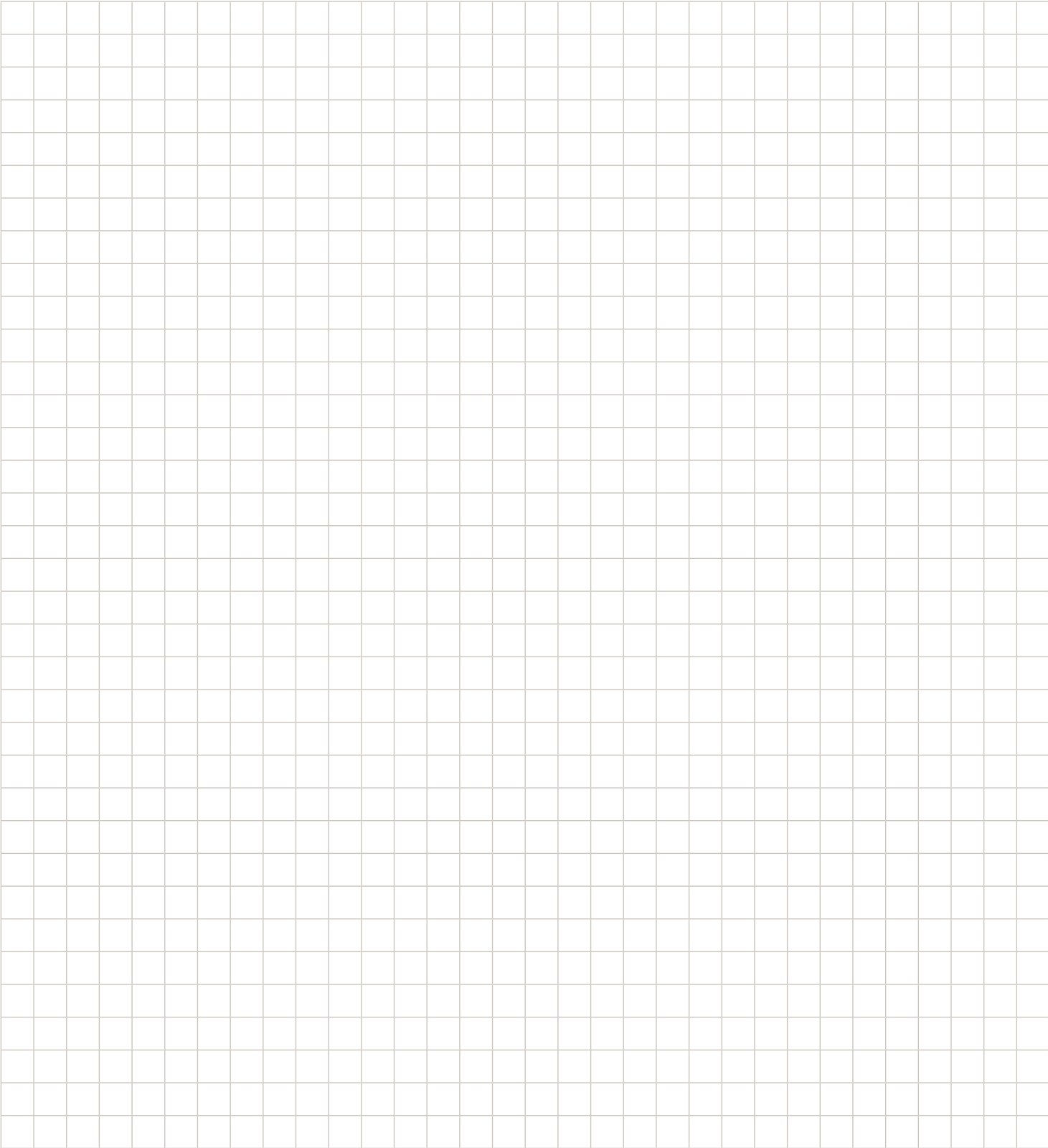
COLOR KEY

| | | |
|------------------------|----------------------|-----------------------|
| Aspen White = ASP | Hickory Shaker = HS | Platinum Shaker = PS |
| Bristol Chocolate = BC | Glazed Mocha = MO | West Point Grey = WPG |
| Espresso Shaker = ES | Winchester Grey = NG | White Shaker = WS |

* ALL ARE UPGRADEABLE TO SOFT CLOSE *



Notes :

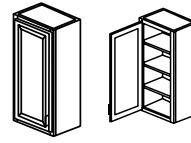


Notes :



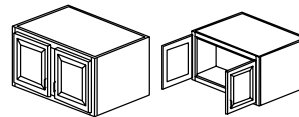
Index

Single Door Wall Cabinets

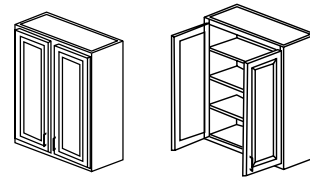


| | | ASP | BC | ES | HS | MO | NG | PS | WPG | WS |
|-------|---------|----------|----------|----------|----------|----------|----------|----------|----------|----------|
| W0930 | 9 x 30 | \$207.19 | \$223.19 | \$157.57 | \$223.19 | \$186.52 | \$223.19 | \$185.93 | \$223.19 | \$185.93 |
| W0936 | 9 x 36 | \$224.17 | \$253.30 | \$184.65 | \$253.30 | \$199.44 | \$253.30 | \$201.22 | \$253.30 | \$201.22 |
| W0942 | 9 x 42 | \$257.46 | \$278.04 | \$203.74 | \$278.04 | \$242.96 | \$278.04 | \$245.20 | \$278.04 | \$245.20 |
| W1230 | 12 x 30 | \$215.86 | \$260.86 | \$160.18 | \$260.86 | \$193.88 | \$260.86 | \$193.37 | \$260.86 | \$193.37 |
| W1236 | 12 x 36 | \$241.82 | \$304.42 | \$193.37 | \$304.42 | \$219.72 | \$304.42 | \$221.80 | \$304.42 | \$221.80 |
| W1242 | 12 x 42 | \$286.51 | \$330.62 | \$212.69 | \$330.62 | \$270.32 | \$330.62 | \$272.87 | \$330.62 | \$272.87 |
| W1530 | 15 x 30 | \$239.27 | \$298.91 | \$172.97 | \$298.91 | \$213.64 | \$298.91 | \$218.40 | \$298.91 | \$218.40 |
| W1536 | 15 x 36 | \$268.30 | \$353.60 | \$214.28 | \$353.60 | \$246.20 | \$353.60 | \$246.46 | \$353.60 | \$246.46 |
| W1542 | 15 x 42 | \$312.81 | \$381.11 | \$229.32 | \$381.11 | \$297.88 | \$381.11 | \$297.91 | \$381.11 | \$297.91 |
| W1830 | 18 x 30 | \$290.04 | \$345.83 | \$195.43 | \$345.83 | \$236.68 | \$345.83 | \$276.23 | \$345.83 | \$276.23 |
| W1836 | 18 x 36 | \$335.91 | \$402.82 | \$240.06 | \$402.82 | \$273.48 | \$402.82 | \$345.83 | \$402.82 | \$345.83 |
| W1842 | 18 x 42 | \$374.37 | \$434.83 | \$256.81 | \$434.83 | \$343.24 | \$434.83 | \$343.35 | \$434.83 | \$343.35 |
| W2130 | 21 x 30 | \$322.22 | \$389.38 | \$234.79 | \$389.38 | \$282.36 | \$389.38 | \$285.01 | \$389.38 | \$285.01 |
| W2136 | 21 x 36 | \$355.87 | \$444.49 | \$286.15 | \$444.49 | \$325.64 | \$444.49 | \$317.23 | \$444.49 | \$317.23 |
| W2142 | 21 x 42 | \$425.17 | \$489.68 | \$306.35 | \$489.68 | \$401.28 | \$489.68 | \$404.92 | \$489.68 | \$404.92 |

Refrigerator Wall Cabinets

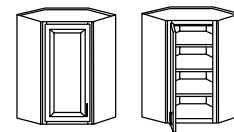


| | | ASP | BC | ES | HS | MO | NG | PS | WPG | WS |
|--------|---------|----------|----------|----------|----------|----------|----------|----------|----------|----------|
| WR3315 | 33 x 15 | \$335.64 | \$440.50 | N/A | \$440.50 | \$291.76 | \$440.50 | \$319.66 | \$440.50 | \$319.66 |
| WR3324 | 33 x 24 | \$411.23 | \$459.77 | N/A | \$459.77 | \$359.36 | \$459.77 | \$391.65 | \$459.77 | \$391.65 |
| WR3612 | 36 x 12 | \$376.04 | \$353.39 | \$225.92 | \$353.39 | \$296.36 | \$353.39 | \$358.13 | \$353.39 | \$358.13 |
| WR3615 | 36 x 15 | \$403.34 | \$476.49 | N/A | \$476.49 | \$327.24 | \$476.49 | \$384.13 | \$476.49 | \$384.13 |
| WR3618 | 36 x 18 | \$436.59 | \$508.16 | \$290.15 | \$508.16 | \$395.96 | \$508.16 | \$415.80 | \$508.16 | \$415.80 |
| WR3621 | 36 x 21 | \$469.93 | \$521.72 | N/A | \$521.72 | \$396.48 | \$521.72 | \$447.55 | \$521.72 | \$447.55 |
| WR3624 | 36 x 24 | \$436.79 | \$572.63 | \$402.89 | \$572.63 | \$410.10 | \$572.63 | \$415.99 | \$572.63 | \$415.99 |



Double Doors Wall Cabinets

| | | ASP | BC | ES | HS | MO | NG | PS | WPG | WS |
|-------|---------|----------|------------|----------|------------|----------|------------|----------|------------|----------|
| W2430 | 24 x 30 | \$357.23 | \$440.50 | \$255.26 | \$440.50 | \$308.48 | \$440.50 | \$311.35 | \$440.50 | \$311.35 |
| W2436 | 24 x 36 | \$386.84 | \$500.98 | \$304.05 | \$500.98 | \$351.32 | \$500.98 | \$351.67 | \$500.98 | \$351.67 |
| W2442 | 24 x 42 | \$460.70 | \$550.70 | \$336.80 | \$550.70 | \$422.32 | \$550.70 | \$422.73 | \$550.70 | \$422.73 |
| W2730 | 27 x 30 | \$395.75 | \$476.49 | \$279.89 | \$476.49 | \$341.52 | \$476.49 | \$344.78 | \$476.49 | \$344.78 |
| W2736 | 27 x 36 | \$415.22 | \$543.02 | \$332.56 | \$543.02 | \$376.60 | \$543.02 | \$368.68 | \$543.02 | \$368.68 |
| W2742 | 27 x 42 | \$474.08 | \$766.08 | \$361.67 | \$766.08 | \$426.48 | \$766.08 | \$430.54 | \$766.08 | \$430.54 |
| W3030 | 30 x 30 | \$389.70 | \$517.94 | \$288.72 | \$517.94 | \$352.04 | \$517.94 | \$355.40 | \$517.94 | \$355.40 |
| W3036 | 30 x 36 | \$446.03 | \$571.16 | \$348.68 | \$571.16 | \$404.87 | \$571.16 | \$408.87 | \$571.16 | \$408.87 |
| W3042 | 30 x 42 | \$504.22 | \$838.91 | \$384.20 | \$838.91 | \$468.00 | \$838.91 | \$468.72 | \$838.91 | \$468.72 |
| W3330 | 33 x 30 | \$411.84 | \$565.28 | \$312.01 | \$565.28 | \$374.08 | \$565.28 | \$377.66 | \$565.28 | \$377.66 |
| W3336 | 33 x 36 | \$470.81 | \$607.53 | \$375.53 | \$607.53 | \$431.08 | \$607.53 | \$435.37 | \$607.53 | \$435.37 |
| W3342 | 33 x 42 | \$548.03 | \$906.82 | \$412.83 | \$906.82 | \$503.24 | \$906.82 | \$508.28 | \$906.82 | \$508.28 |
| W3630 | 36 x 30 | \$439.37 | \$614.67 | \$340.80 | \$614.67 | \$409.84 | \$614.67 | \$410.51 | \$614.67 | \$410.51 |
| W3636 | 36 x 36 | \$501.21 | \$658.22 | \$402.30 | \$658.22 | \$460.84 | \$658.22 | \$461.58 | \$658.22 | \$461.58 |
| W3642 | 36 x 42 | \$577.35 | \$976.21 | \$441.38 | \$976.21 | \$533.60 | \$976.21 | \$534.49 | \$976.21 | \$534.49 |
| W3930 | 39 x 30 | \$486.30 | \$658.39 | N/A | \$658.39 | \$432.56 | \$658.39 | \$439.82 | \$658.39 | \$439.82 |
| W3936 | 39 x 36 | \$538.55 | \$709.34 | N/A | \$709.34 | \$485.52 | \$709.34 | \$490.69 | \$709.34 | \$490.69 |
| W3942 | 39 x 42 | \$588.91 | \$1,044.92 | N/A | \$1,044.92 | \$555.08 | \$1,044.92 | \$560.87 | \$1,044.92 | \$560.87 |
| W4230 | 42 x 30 | \$514.68 | \$680.86 | N/A | \$680.86 | \$464.00 | \$680.86 | \$468.72 | \$680.86 | \$468.72 |
| W4236 | 42 x 36 | \$565.88 | \$764.40 | N/A | \$764.40 | \$519.76 | \$764.40 | \$525.21 | \$764.40 | \$525.21 |
| W4242 | 42 x 42 | \$643.92 | \$1,063.52 | \$604.48 | \$1,063.52 | \$580.88 | \$1,063.52 | \$586.87 | \$1,063.52 | \$586.87 |



Diagonal Corner Wall Cabinets

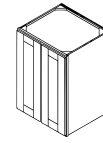
| | | ASP | BC | ES | HS | MO | NG | PS | WPG | WS |
|---------|---------|----------|----------|----------|----------|----------|----------|----------|----------|----------|
| WDC2430 | 24 x 30 | \$513.37 | \$542.14 | \$476.27 | \$542.14 | \$516.32 | \$542.14 | \$488.92 | \$542.14 | \$488.92 |
| WDC2436 | 24 x 36 | \$603.07 | \$583.21 | \$497.57 | \$583.21 | \$555.44 | \$583.21 | \$574.35 | \$583.21 | \$574.35 |
| WDC2442 | 24 x 42 | \$702.82 | \$682.12 | \$581.29 | \$682.12 | \$649.64 | \$682.12 | \$669.35 | \$682.12 | \$669.35 |

With Plain Glass (PG) or Beveled Glass (BG)

| | | ASP | BC | ES | HS | MO | NG | PS | WPG | WS |
|---------|---------|------------|------------|-----|------------|----------|------------|------------|------------|------------|
| WDC42PG | 24 x 42 | \$1,071.55 | N/A | N/A | \$1,020.52 | N/A | \$1,020.52 | \$1,020.52 | \$1,020.52 | \$1,020.52 |
| WDC42BG | 24 x 42 | N/A | \$1,020.52 | N/A | N/A | \$971.92 | N/A | N/A | N/A | N/A |

Index

24" Deep Double Door Wall Cabinets

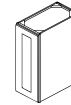


Page 21

| | | ASP | BC | ES | HS | MO | NG | PS | WPG | WS |
|---------|---------|-----|-----|-----|-----------|-----|-----------|----------|-----------|----------|
| W243024 | 24 x 30 | N/A | N/A | N/A | \$769.31 | N/A | \$769.31 | \$530.56 | \$769.31 | \$530.56 |
| W243624 | 24 x 36 | N/A | N/A | N/A | \$850.86 | N/A | \$850.86 | \$586.80 | \$850.86 | \$586.80 |
| W244224 | 24 x 42 | N/A | N/A | N/A | \$932.99 | N/A | \$932.99 | \$643.44 | \$932.99 | \$643.44 |
| W303024 | 30 x 30 | N/A | N/A | N/A | \$900.86 | N/A | \$900.86 | \$621.28 | \$900.86 | \$621.28 |
| W303624 | 30 x 36 | N/A | N/A | N/A | \$994.12 | N/A | \$994.12 | \$685.60 | \$994.12 | \$685.60 |
| W304224 | 30 x 42 | N/A | N/A | N/A | \$1087.96 | N/A | \$1087.96 | \$750.32 | \$1087.96 | \$750.32 |
| W363024 | 36 x 30 | N/A | N/A | N/A | \$1032.40 | N/A | \$1032.40 | \$712.00 | \$1032.40 | \$712.00 |
| W363624 | 36 x 36 | N/A | N/A | N/A | \$1137.38 | N/A | \$1137.38 | \$784.40 | \$1137.38 | \$784.40 |
| W364224 | 36 x 42 | N/A | N/A | N/A | \$1242.94 | N/A | \$1242.94 | \$857.20 | \$1242.94 | \$857.20 |

*Top cabinet for split pantries requires tall skin to cover seam

24" Deep Single Door Wall Cabinets

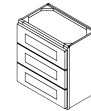


Page 21

| | | ASP | BC | ES | HS | MO | NG | PS | WPG | WS |
|---------|---------|-----|-----|-----|----------|-----|----------|----------|----------|----------|
| W183024 | 24 x 30 | N/A | N/A | N/A | \$612.02 | N/A | \$612.02 | \$422.08 | \$612.02 | \$422.08 |
| W183624 | 24 x 36 | N/A | N/A | N/A | \$679.88 | N/A | \$679.88 | \$468.88 | \$679.88 | \$468.88 |
| W184224 | 24 x 42 | N/A | N/A | N/A | \$748.20 | N/A | \$748.20 | \$516.00 | \$748.20 | \$516.00 |

*Top cabinet for split pantries requires tall skin to cover seam

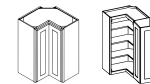
Three Drawer Wall Cabinets



Page 22

| | | ASP | BC | ES | HS | MO | NG | PS | WPG | WS |
|--------|---------|-----|-----|-----|----------|-----|----------|----------|----------|----------|
| W3DR18 | 18 x 18 | N/A | N/A | N/A | \$630.50 | N/A | \$662.51 | \$630.50 | \$662.51 | \$630.50 |
| W3DR24 | 18 x 24 | N/A | N/A | N/A | \$775.03 | N/A | \$813.83 | \$775.03 | \$813.83 | \$775.03 |

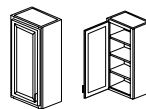
Easy Reach Wall Cabinets



Page 22

| | | ASP | BC | ES | HS | MO | NG | PS | WPG | WS |
|---------|---------|-----|-----|-----|----------|-----|----------|----------|----------|----------|
| WER2430 | 24 x 30 | N/A | N/A | N/A | \$785.94 | N/A | \$785.94 | \$542.03 | \$785.94 | \$542.03 |
| WER2436 | 24 x 36 | N/A | N/A | N/A | \$773.97 | N/A | \$773.97 | \$533.78 | \$773.97 | \$533.78 |
| WER2442 | 24 x 42 | N/A | N/A | N/A | \$960.81 | N/A | \$960.81 | \$662.63 | \$960.81 | \$662.63 |

Blind Corner Wall Cabinets



Page 23

| | | ASP | BC | ES | HS | MO | NG | PS | WPG | WS |
|---------|---------|----------|----------|----------|----------|----------|----------|----------|----------|----------|
| WBC2730 | 27 x 30 | \$452.60 | \$499.04 | \$367.57 | \$499.04 | \$435.96 | \$499.04 | \$431.05 | \$499.04 | \$431.05 |
| WBC2736 | 27 x 36 | \$526.51 | \$572.80 | \$425.19 | \$572.80 | \$504.56 | \$572.80 | \$501.44 | \$572.80 | \$501.44 |
| WBC2742 | 27 x 42 | \$611.18 | \$635.63 | \$501.93 | \$635.63 | \$550.29 | \$635.63 | \$582.08 | \$635.63 | \$582.08 |

Index

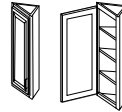
18" High Single Door Wall Cabinets



Page 23

| | | ASP | BC | ES | HS | MO | NG | PS | WPG | WS |
|-------|---------|-----|-----|-----|----------|-----|----------|----------|----------|----------|
| W1218 | 12 x 18 | N/A | N/A | N/A | \$233.97 | N/A | \$233.97 | \$161.36 | \$233.97 | \$161.36 |
| W1518 | 15 x 18 | N/A | N/A | N/A | \$262.39 | N/A | \$262.39 | \$180.96 | \$262.39 | \$180.96 |
| W1818 | 18 x 18 | N/A | N/A | N/A | \$290.81 | N/A | \$290.81 | \$200.56 | \$290.81 | \$200.56 |

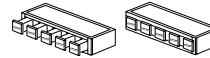
Angled End Wall Cabinets



Page 24

| | | ASP | BC | ES | HS | MO | NG | PS | WPG | WS |
|---------|---------|----------|----------|-----|----------|----------|----------|----------|----------|----------|
| WCA1230 | 12 x 30 | \$250.35 | \$282.11 | N/A | \$282.11 | \$280.96 | \$282.11 | \$238.43 | \$282.11 | \$238.43 |
| WCA1236 | 12 x 36 | \$283.26 | \$322.14 | N/A | \$322.14 | \$320.72 | \$322.14 | \$269.77 | \$322.14 | \$269.77 |
| WCA1242 | 12 x 42 | \$317.34 | \$363.93 | N/A | \$363.93 | \$362.24 | \$363.93 | \$302.23 | \$363.93 | \$302.23 |

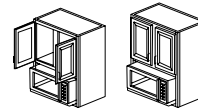
Spice Drawers Wall Cabinet



Page 25

| | | ASP | BC | ES | HS | MO | NG | PS | WPG | WS |
|-------|--------|----------|----------|-----|----------|----------|----------|----------|----------|----------|
| WSC30 | 6 x 30 | \$233.05 | \$212.10 | N/A | \$212.10 | \$205.79 | \$219.27 | \$221.95 | \$219.27 | \$221.95 |

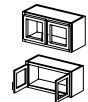
Microwave Wall Cabinets



Page 25

| | | ASP | BC | ES | HS | MO | NG | PS | WPG | WS |
|--------|---------|----------|----------|-----|----------|----------|----------|----------|----------|----------|
| MW3030 | 30 x 30 | \$352.00 | \$530.92 | N/A | \$530.92 | \$309.72 | \$530.92 | \$332.30 | \$530.92 | \$332.30 |
| MW3036 | 30 x 36 | \$425.17 | \$559.40 | N/A | \$559.40 | \$370.64 | \$559.40 | \$393.79 | \$559.40 | \$393.79 |
| MW3042 | 30 x 42 | \$492.45 | \$559.63 | N/A | \$599.63 | \$441.76 | \$599.63 | \$459.44 | \$599.63 | \$459.44 |

Double Decorative Stacker Wall Cabinets



Page 27

With Beveled Glass (BG)

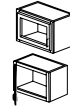
| | | ASP | BC | ES | HS | MO | NG | PS | WPG | WS |
|---------|---------|-----|----------|-----|-----|----------|-----|-----|-----|-----|
| W2412BG | 24 x 12 | N/A | \$329.28 | N/A | N/A | \$313.60 | N/A | N/A | N/A | N/A |
| W2712BG | 27 x 12 | N/A | \$345.03 | N/A | N/A | \$328.60 | N/A | N/A | N/A | N/A |
| W3012BG | 30 x 12 | N/A | \$354.31 | N/A | N/A | \$337.44 | N/A | N/A | N/A | N/A |
| W3312BG | 33 x 12 | N/A | \$369.43 | N/A | N/A | \$351.84 | N/A | N/A | N/A | N/A |
| W3612BG | 36 x 12 | N/A | \$404.21 | N/A | N/A | \$384.96 | N/A | N/A | N/A | N/A |

With Plain Glass (PG)

| | | ASP | BC | ES | HS | MO | MO | PS | WPG | WS |
|---------|---------|----------|-----|-----|----------|-----|----------|----------|----------|----------|
| W2412PG | 24 x 12 | \$345.74 | N/A | N/A | \$329.28 | N/A | \$329.28 | \$329.28 | \$329.28 | \$329.28 |
| W2712PG | 27 x 12 | \$362.28 | N/A | N/A | \$345.03 | N/A | \$345.03 | \$345.03 | \$345.03 | \$345.08 |
| W3012PG | 30 x 12 | \$372.03 | N/A | N/A | \$354.31 | N/A | \$354.31 | \$354.31 | \$354.31 | \$354.31 |
| W3312PG | 33 x 12 | \$387.90 | N/A | N/A | \$369.43 | N/A | \$369.43 | \$369.44 | \$369.43 | \$369.44 |
| W3612PG | 36 x 12 | \$424.42 | N/A | N/A | \$404.21 | N/A | \$404.21 | \$404.21 | \$404.21 | \$404.21 |

Index

Single Decorative Stacker Wall Cabinets



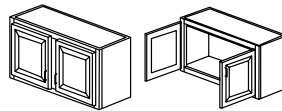
With Beveled Glass (BG)

| | | ASP | BC | ES | HS | MO | NG | PS | WPG | WS |
|---------|---------|-----|----------|-----|-----|----------|-----|-----|-----|-----|
| W1212BG | 12 x 12 | N/A | \$245.62 | N/A | N/A | \$233.92 | N/A | N/A | N/A | N/A |
| W1512BG | 15 x 12 | N/A | \$253.05 | N/A | N/A | \$241.00 | N/A | N/A | N/A | N/A |
| W1812BG | 18 x 12 | N/A | \$266.66 | N/A | N/A | \$253.96 | N/A | N/A | N/A | N/A |
| W2112BG | 21 x 12 | N/A | \$307.82 | N/A | N/A | \$293.16 | N/A | N/A | N/A | N/A |

With Plain Glass (PG)

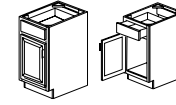
| | | ASP | BC | ES | HS | MO | NG | PS | WPG | WS |
|---------|---------|----------|-----|-----|----------|-----|----------|----------|----------|----------|
| W1212PG | 12 x 12 | \$257.90 | N/A | N/A | \$245.62 | N/A | \$245.62 | \$245.62 | \$245.62 | \$245.62 |
| W1512PG | 15 x 12 | \$265.70 | N/A | N/A | \$253.05 | N/A | \$253.05 | \$253.05 | \$253.05 | \$253.05 |
| W1812PG | 18 x 12 | \$279.99 | N/A | N/A | \$266.66 | N/A | \$266.66 | \$266.66 | \$266.66 | \$266.66 |
| W2112PG | 21 x 12 | \$323.21 | N/A | N/A | \$307.82 | N/A | \$307.82 | \$307.82 | \$307.82 | \$307.82 |

Bridge Wall Cabinets



| | | ASP | BC | ES | HS | MO | NG | PS | WPG | WS |
|-------|---------|----------|----------|----------|----------|----------|----------|----------|----------|----------|
| W3012 | 30 x 12 | \$252.68 | \$303.58 | \$168.50 | \$303.58 | \$221.72 | \$303.58 | \$221.63 | \$303.58 | \$221.63 |
| W3312 | 33 x 12 | \$261.18 | \$338.31 | N/A | \$338.31 | \$232.08 | \$338.31 | \$245.87 | \$338.31 | \$245.87 |
| W3612 | 36 x 12 | \$295.09 | \$354.44 | \$218.51 | \$354.44 | \$272.40 | \$354.44 | \$263.55 | \$354.44 | \$263.55 |
| W3015 | 30 x 15 | \$257.52 | \$365.44 | \$196.57 | \$365.44 | \$235.16 | \$365.44 | \$235.24 | \$365.44 | \$235.24 |
| W3315 | 33 x 15 | \$278.43 | \$395.43 | N/A | \$395.43 | \$252.80 | \$395.43 | \$248.85 | \$395.43 | \$248.85 |
| W3615 | 36 x 15 | \$294.79 | \$423.74 | \$245.72 | \$423.74 | \$281.00 | \$423.74 | \$266.03 | \$423.74 | \$266.03 |
| W3018 | 30 x 18 | \$268.67 | \$406.27 | \$220.45 | \$406.27 | \$249.28 | \$406.27 | \$242.63 | \$406.27 | \$242.63 |
| W3318 | 33 x 18 | \$307.35 | \$441.29 | N/A | \$441.29 | \$275.40 | \$441.29 | \$276.86 | \$441.29 | \$276.86 |
| W3618 | 36 x 18 | \$331.13 | \$463.09 | \$272.88 | \$463.09 | \$294.72 | \$463.09 | \$290.01 | \$463.09 | \$290.01 |
| W3021 | 30 x 21 | \$324.92 | \$449.53 | \$253.92 | \$449.53 | \$310.80 | \$449.53 | \$307.06 | \$449.53 | \$307.06 |
| W3321 | 33 x 21 | \$354.04 | \$486.65 | N/A | \$486.65 | \$344.60 | \$486.65 | \$337.18 | \$486.65 | \$337.18 |
| W3621 | 36 x 21 | \$420.36 | \$498.04 | \$323.89 | \$498.04 | \$401.28 | \$498.04 | \$400.34 | \$498.04 | \$400.34 |
| W3024 | 30 x 24 | \$354.46 | \$478.17 | \$276.76 | \$478.17 | \$330.52 | \$478.17 | \$328.61 | \$478.17 | \$328.61 |
| W3324 | 33 x 24 | \$385.57 | \$504.67 | N/A | \$504.67 | \$361.96 | \$504.67 | \$367.21 | \$504.67 | \$367.21 |
| W3624 | 36 x 24 | \$442.85 | \$529.07 | \$337.59 | \$529.07 | \$402.64 | \$529.07 | \$421.76 | \$529.07 | \$421.76 |

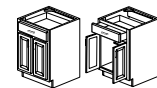
Sngl Door & Drawer Base Cabinets



Page 31

| | | ASP | BC | ES | HS | MO | NG | PS | WPG | WS |
|-------|-----|----------|----------|----------|----------|----------|----------|----------|----------|----------|
| B12ww | 12" | \$394.62 | \$387.95 | \$263.30 | \$387.95 | \$369.48 | \$387.95 | \$375.48 | \$387.95 | \$375.48 |
| B15 | 15" | \$414.36 | \$413.87 | \$278.47 | \$413.87 | \$394.16 | \$413.87 | \$394.63 | \$413.87 | \$394.63 |
| B18 | 18" | \$425.83 | \$428.95 | \$291.26 | \$428.95 | \$408.52 | \$428.95 | \$405.55 | \$428.95 | \$405.55 |
| B21 | 21" | \$479.06 | \$475.73 | \$323.97 | \$475.73 | \$453.08 | \$475.73 | \$456.25 | \$475.73 | \$456.25 |

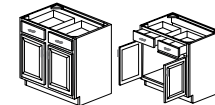
Dble Doors & Sngl Drawer Base Cabinets



Page 31

| | | ASP | BC | ES | HS | MO | NG | PS | WPG | WS |
|-----|-----|----------|----------|----------|----------|----------|----------|----------|----------|----------|
| B24 | 24" | \$521.79 | \$522.14 | \$350.58 | \$522.14 | \$497.28 | \$522.14 | \$496.94 | \$522.14 | \$496.94 |
| B27 | 27" | \$563.51 | \$568.51 | \$391.60 | \$568.51 | \$541.44 | \$568.51 | \$536.68 | \$568.51 | \$536.68 |

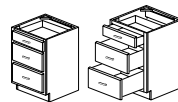
Dble Doors & Drawers Base Cabinets



Page 32

| | | ASP | BC | ES | HS | MO | NG | PS | WPG | WS |
|-----|-----|----------|----------|----------|----------|----------|----------|----------|----------|----------|
| B30 | 30" | \$648.19 | \$645.41 | \$428.12 | \$645.41 | \$614.68 | \$645.41 | \$617.32 | \$645.41 | \$617.32 |
| B33 | 33" | \$682.45 | \$673.47 | \$451.24 | \$673.47 | \$641.40 | \$673.47 | \$649.95 | \$673.47 | \$649.95 |
| B36 | 36" | \$714.64 | \$706.40 | \$468.86 | \$706.40 | \$672.76 | \$706.40 | \$680.61 | \$706.40 | \$680.61 |
| B39 | 39" | \$769.24 | \$754.15 | N/A | \$754.15 | \$718.24 | \$754.15 | \$732.61 | \$754.15 | \$732.61 |
| B42 | 42" | \$793.18 | \$778.34 | N/A | \$778.34 | \$741.28 | \$778.34 | \$755.41 | \$778.34 | \$755.41 |
| B48 | 48" | \$848.75 | \$833.28 | N/A | \$833.28 | \$793.60 | \$833.28 | \$808.33 | \$833.28 | \$808.33 |

Drawer Base Cabinets



Page 32

| | | ASP | BC | ES | HS | MO | NG | PS | WPG | WS |
|------|-----|------------|------------|----------|------------|------------|------------|------------|------------|------------|
| DB12 | 12" | \$688.18 | \$684.39 | \$459.72 | \$684.39 | \$651.80 | \$684.39 | \$655.41 | \$684.39 | \$655.41 |
| DB15 | 15" | \$715.44 | \$709.04 | \$478.41 | \$709.04 | \$675.28 | \$709.04 | \$681.37 | \$709.04 | \$681.37 |
| DB18 | 18" | \$734.40 | \$723.66 | \$497.85 | \$723.66 | \$689.20 | \$723.66 | \$699.43 | \$723.66 | \$699.43 |
| DB21 | 21" | \$791.95 | \$782.50 | \$523.95 | \$782.50 | \$745.24 | \$782.50 | \$754.24 | \$782.50 | \$754.24 |
| DB24 | 24" | \$845.36 | \$832.61 | \$545.53 | \$832.61 | \$792.96 | \$832.61 | \$805.10 | \$832.61 | \$805.10 |
| DB30 | 30" | \$995.47 | \$994.43 | \$617.92 | \$994.43 | \$947.08 | \$994.43 | \$948.07 | \$994.43 | \$948.07 |
| DB36 | 36" | \$1,137.52 | \$1,131.86 | \$680.80 | \$1,131.86 | \$1,077.96 | \$1,131.86 | \$1,083.35 | \$1,131.86 | \$1,083.35 |

Index

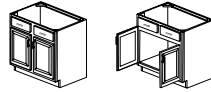
Farm Sink Base Cabinet



Page 33

| | | ASP | BC | ES | HS | MO | NG | PS | WPG | WS |
|-------|-----|----------|----------|----------|----------|----------|----------|----------|----------|----------|
| FSB36 | 36" | \$582.74 | \$659.90 | \$401.03 | \$659.90 | \$557.20 | \$659.90 | \$554.99 | \$659.90 | \$554.99 |

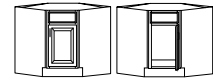
Sink Base Cabinet



Page 33

| | | ASP | BC | ES | HS | MO | NG | PS | WPG | WS |
|------|-----|----------|----------|----------|----------|----------|----------|----------|----------|----------|
| SB33 | 33" | \$572.75 | \$649.91 | \$391.04 | \$649.91 | \$547.21 | \$649.91 | \$545.00 | \$649.91 | \$545.00 |
| SB36 | 36" | \$582.74 | \$659.90 | \$401.03 | \$659.90 | \$557.20 | \$659.90 | \$554.99 | \$659.90 | \$554.99 |

Diagonal Corner Sink Base Cabinet



Page 34

| | | ASP | BC | ES | HS | MO | NG | PS | WPG | WS |
|--------|-----|----------|----------|----------|----------|----------|----------|----------|----------|----------|
| DCSB36 | 36" | \$547.50 | \$521.43 | \$444.28 | \$521.43 | \$496.60 | \$521.43 | \$521.43 | \$521.43 | \$521.43 |

Single Door Utility Base Cabinet

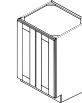


Page 35

| | | ASP | BC | ES | HS | MO | NG | PS | WPG | WS |
|---------|---------|-----|-----|-----|----------|-----|----------|----------|----------|----------|
| UCB1854 | 18 x 54 | N/A | N/A | N/A | \$932.87 | N/A | \$932.87 | \$643.36 | \$932.87 | \$643.36 |

* Bottom cabinet for split pantries requires tall skin to cover seam *

Double Door Utility Base Cabinet

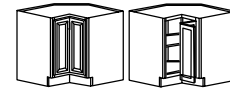


Page 35

| | | ASP | BC | ES | HS | MO | NG | PS | WPG | WS |
|---------|---------|-----|-----|-----|-----------|-----|-----------|-----------|-----------|-----------|
| UCB2454 | 24 x 54 | N/A | N/A | N/A | \$1167.19 | N/A | \$1167.19 | \$804.96 | \$1167.19 | \$804.96 |
| UCB3054 | 30 x 54 | N/A | N/A | N/A | \$1360.56 | N/A | \$1360.56 | \$938.32 | \$1360.56 | \$938.32 |
| UCB3654 | 36 x 54 | N/A | N/A | N/A | \$1553.82 | N/A | \$1553.82 | \$1071.60 | \$1553.82 | \$1071.60 |

* Bottom cabinet for split pantries requires tall skin to cover seam *

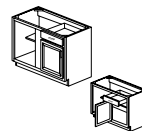
Lazy Susan Corner Base Cabinet



Page 35

| | | ASP | BC | ES | HS | MO | NG | PS | WPG | WS |
|--------|-----|------------|------------|----------|------------|----------|------------|----------|------------|----------|
| LS3312 | 33" | \$1,117.37 | \$1,117.37 | \$665.78 | \$1,117.37 | \$782.81 | \$1,117.37 | \$778.81 | \$1,117.37 | \$778.81 |
| LS3612 | 36" | \$1,127.36 | \$1,127.36 | \$675.77 | \$1,127.36 | \$792.80 | \$1,127.36 | \$788.80 | \$1,127.36 | \$788.80 |

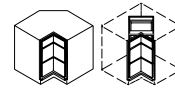
Blind Corner Base Cabinet



Page 35

| | | ASP | BC | ES | HS | MO | NG | PS | WPG | WS |
|-------|-----|----------|----------|----------|----------|----------|----------|----------|----------|----------|
| BBC36 | 36" | \$638.17 | \$629.16 | \$440.55 | \$629.16 | \$599.20 | \$629.16 | \$607.78 | \$629.16 | \$607.78 |

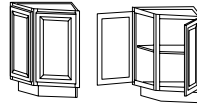
Corner Drawers Base Cabinets



Page 36

| | | ASP | BC | ES | HS | MO | NG | PS | WPG | WS |
|-------|-----|----------|----------|----------|----------|----------|----------|----------|----------|----------|
| CDB36 | 36" | \$982.55 | \$935.76 | \$684.84 | \$990.30 | \$891.20 | \$935.76 | \$935.76 | \$935.76 | \$935.76 |

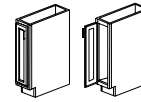
Angled End Base Cabinets



Page 37

| | | ASP | BC | ES | HS | MO | NG | PS | WPG | WS |
|------|-----|----------|----------|-----|----------|----------|----------|----------|----------|----------|
| BA24 | 24" | \$583.66 | \$579.47 | N/A | \$579.47 | \$567.68 | \$579.47 | \$555.87 | \$579.47 | \$555.87 |

Full Height / Tray Base Cabinets



Page 37

| | | ASP | BC | ES | HS | MO | NG | PS | WPG | WS |
|------|----|----------|----------|----------|----------|----------|----------|----------|----------|----------|
| TB09 | 9" | \$376.44 | \$358.51 | \$234.59 | \$358.51 | \$341.44 | \$358.51 | \$358.51 | \$358.51 | \$358.51 |

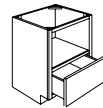
Spice Drawers Base Cabinets



Page 38

| | | ASP | BC | ES | HS | MO | NG | PS | WPG | WS |
|------|----|----------|----------|-----|----------|----------|----------|----------|----------|----------|
| BSD6 | 6" | \$433.24 | \$412.61 | N/A | \$412.61 | \$416.18 | \$412.61 | \$412.61 | \$412.61 | \$412.61 |

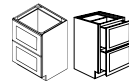
Base Microwave Cabinet



Page 41

| | | ASP | BC | ES | HS | MO | NG | PS | WPG | WS |
|-------|-----|----------|-----|-----|----------|-----|----------|----------|----------|----------|
| BMC27 | 27" | \$545.38 | N/A | N/A | \$545.45 | N/A | \$545.38 | \$536.30 | \$545.38 | \$536.30 |
| BMC30 | 30" | \$584.67 | N/A | N/A | \$584.67 | N/A | \$584.67 | \$584.83 | \$584.67 | \$584.83 |

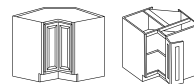
2 Drawer Base Cabinet



Page 39

| | | ASP | BC | ES | HS | MO | NG | PS | WPG | WS |
|-------|-----|-----|-----|-----|-----------|-----|-----------|-----------|-----------|-----------|
| 2DB24 | 24" | N/A | N/A | N/A | \$1109.03 | N/A | \$1109.03 | \$764.85 | \$1109.03 | \$764.85 |
| 2DB27 | 27" | N/A | N/A | N/A | \$1207.50 | N/A | \$1207.50 | \$832.76 | \$1207.50 | \$832.76 |
| 2DB30 | 30" | N/A | N/A | N/A | \$1305.97 | N/A | \$1305.97 | \$900.67 | \$1305.97 | \$900.67 |
| 2DB33 | 33" | N/A | N/A | N/A | \$1399.14 | N/A | \$1399.14 | \$964.93 | \$1399.14 | \$964.93 |
| 2DB36 | 36" | N/A | N/A | N/A | \$1492.31 | N/A | \$1492.31 | \$1029.18 | \$1492.31 | \$1029.18 |

Easy Reach Base Cabinet

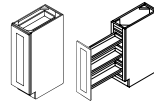


Page 39

| | | ASP | BC | ES | HS | MO | NG | PS | WPG | WS |
|-------|-----|-----|-----|-----|-----------|-----|-----------|----------|-----------|----------|
| BER33 | 33" | N/A | N/A | N/A | \$1072.81 | N/A | \$1072.81 | \$739.87 | \$1072.81 | \$739.87 |
| BER36 | 36" | N/A | N/A | N/A | \$1086.57 | N/A | \$1086.57 | \$749.36 | \$1086.57 | \$749.36 |

Index

Spice Rack Base Cabinet



Page 40

| | | ASP | BC | ES | HS | MO | NG | PS | WPG | WS |
|-------|-----|-----|-----|-----|----------|-----|----------|----------|----------|----------|
| BSR9 | 9" | N/A | N/A | N/A | \$712.82 | N/A | \$712.82 | \$491.60 | \$712.82 | \$491.60 |
| BSR12 | 12" | N/A | N/A | N/A | \$816.79 | N/A | \$816.79 | \$563.30 | \$816.79 | \$563.30 |

18" Wide Utility Cabinets



Page 43

| | | ASP | BC | ES | CH | MO | NG | PS | WPG | WS |
|--------|---------|------------|------------|----------|------------|------------|------------|------------|------------|------------|
| UC1884 | 18 x 84 | \$1,073.34 | \$1,156.51 | \$846.41 | \$1,156.51 | \$953.60 | \$1,156.51 | \$984.35 | \$1,156.51 | \$984.35 |
| UC1890 | 18 x 90 | \$1,127.07 | \$1,213.63 | \$921.49 | \$1,213.63 | \$1,026.88 | \$1,213.63 | \$1,031.35 | \$1,213.63 | \$1,031.35 |
| UC1896 | 18 x 96 | \$1,181.86 | \$1,292.97 | \$968.89 | \$1,292.97 | \$1,072.16 | \$1,292.97 | \$1,080.16 | \$1,292.97 | \$1,080.16 |

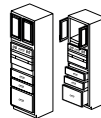
24" Wide Utility Cabinets



Page 43

| | | ASP | BC | ES | HS | MO | NG | PS | WPG | WS |
|--------|---------|------------|------------|------------|------------|------------|------------|------------|------------|------------|
| UC2484 | 24 x 84 | \$1,251.52 | \$1,203.97 | \$966.48 | \$1,203.97 | \$1,146.64 | \$1,203.97 | \$1,148.07 | \$1,203.97 | \$1,148.07 |
| UC2490 | 24 x 90 | \$1,238.85 | \$1,246.56 | \$1,028.06 | \$1,246.56 | \$1,187.20 | \$1,246.56 | \$1,179.86 | \$1,246.56 | \$1,179.86 |
| UC2496 | 24 x 96 | \$1,273.57 | \$1,342.53 | \$1,073.04 | \$1,342.53 | \$1,211.04 | \$1,342.53 | \$1,212.92 | \$1,342.53 | \$1,212.92 |

Universal Oven Cabinets



Page 44

| | | ASP | BC | ES | HS | MO | NG | PS | WPG | WS |
|---------|---------|------------|------------|------------|------------|------------|------------|------------|------------|------------|
| UOC3384 | 33 x 84 | \$1,575.87 | \$1,421.95 | \$1,097.36 | \$1,434.51 | \$1,378.95 | \$1,421.95 | \$1,468.66 | \$1,421.95 | \$1,468.66 |
| UOC3390 | 33 x 90 | \$1,693.97 | \$1,447.15 | \$1,137.84 | \$1,447.15 | \$1,487.28 | \$1,447.15 | \$1,500.83 | \$1,447.15 | \$1,500.83 |
| UOC3396 | 33 x 96 | \$1,726.71 | \$1,596.71 | \$1,166.96 | \$1,596.71 | \$1,520.68 | \$1,596.71 | \$1,546.27 | \$1,596.71 | \$1,546.27 |

Wine Storage Cube



Page 45

| | | ASP | BC | ES | HS | MO | NG | PS | WPG | WS |
|------------|---------|-----|-----|-----|----------|-----|----------|----------|----------|----------|
| WINESC1515 | 15 x 15 | N/A | N/A | N/A | \$367.72 | N/A | \$367.72 | \$253.60 | \$367.72 | \$253.60 |
| WINESC1818 | 18 x 18 | N/A | N/A | N/A | \$452.26 | N/A | \$452.26 | \$311.90 | \$452.26 | \$311.90 |

Lattice Wine Racks



Page 45

| | | ASP | BC | ES | HS | MO | NG | PS | WPG | WS |
|---------|---------|----------|----------|----------|----------|----------|----------|----------|----------|----------|
| LWR3015 | 30 x 15 | \$341.69 | \$294.76 | \$277.63 | \$294.76 | \$291.91 | \$294.76 | \$294.76 | \$294.76 | \$294.76 |

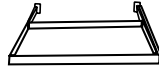
Stem Glass Holders



Page 46

| | | ASP | BC | ES | HS | MO | NG | PS | WPG | WS |
|-----|---------|----------|----------|-----|----------|----------|----------|----------|----------|----------|
| SGH | 12 x 30 | \$249.69 | \$249.69 | N/A | \$249.69 | \$237.80 | \$249.69 | \$249.69 | \$249.69 | \$249.69 |

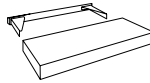
Roll Out Trays



Page 47

| | | ASP | BC | ES | HS | MO | NG | PS | WPG | WS |
|-------|-----|----------|----------|----------|----------|----------|----------|----------|----------|----------|
| ROT15 | 15" | \$86.78 | \$96.69 | N/A | \$105.68 | \$100.71 | \$96.74 | \$82.65 | \$96.74 | \$82.65 |
| ROT18 | 18" | \$93.57 | \$106.96 | \$82.40 | \$117.15 | \$111.39 | \$108.03 | \$89.12 | \$108.03 | \$89.12 |
| ROT21 | 21" | \$99.29 | \$112.43 | N/A | \$121.76 | \$117.04 | \$114.33 | \$94.57 | \$114.33 | \$94.57 |
| ROT24 | 24" | \$106.67 | \$118.82 | \$91.00 | \$127.42 | \$123.61 | \$119.24 | \$101.59 | \$119.24 | \$101.59 |
| ROT27 | 27" | \$112.25 | \$127.27 | N/A | \$136.83 | \$132.42 | \$128.18 | \$106.91 | \$128.18 | \$106.91 |
| ROT30 | 30" | \$155.76 | \$148.34 | \$122.40 | \$148.41 | \$143.87 | \$148.34 | \$148.34 | \$148.34 | \$148.34 |
| ROT33 | 33" | \$169.56 | \$161.49 | N/A | \$161.49 | \$155.84 | \$161.49 | \$161.49 | \$161.49 | \$161.49 |
| ROT36 | 36" | \$178.91 | \$170.39 | N/A | \$171.69 | \$169.95 | \$170.39 | \$170.39 | \$170.39 | \$170.39 |

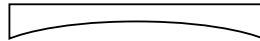
Finished Floating Shelf



Page 47

| | | ASP | BC | ES | HS | MO | NG | PS | WPG | WS |
|-------|-----|-----|-----|-----|----------|-----|----------|----------|----------|----------|
| FFS24 | 24" | N/A | N/A | N/A | \$274.34 | N/A | \$274.34 | \$189.20 | \$274.34 | \$189.20 |
| FFS30 | 30" | N/A | N/A | N/A | \$315.23 | N/A | \$315.23 | \$217.40 | \$315.23 | \$217.40 |
| FFS36 | 36" | N/A | N/A | N/A | \$355.83 | N/A | \$355.83 | \$245.40 | \$355.83 | \$245.40 |
| FFS42 | 42" | N/A | N/A | N/A | \$396.72 | N/A | \$396.72 | \$273.60 | \$396.72 | \$273.60 |

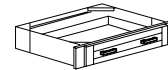
Arched Valances



Page 48

| | | ASP | BC | ES | HS | MO | NG | PS | WPG | WS |
|------|-----|----------|----------|----------|----------|----------|----------|----------|----------|----------|
| VA48 | 48" | \$174.99 | \$166.66 | \$151.48 | \$166.66 | \$158.72 | \$166.66 | \$166.66 | \$166.66 | \$166.66 |

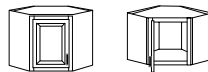
Under Counter Knee Drawers



Page 48

| | | ASP | BC | ES | HS | MO | NG | PS | WPG | WS |
|-------|-----|-----|-----|-----|----------|-----|----------|----------|----------|----------|
| UCD30 | 30" | N/A | N/A | N/A | \$223.29 | N/A | \$221.68 | \$221.68 | \$221.68 | \$221.68 |
| UCD36 | 36" | N/A | N/A | N/A | \$257.68 | N/A | \$251.45 | \$251.45 | \$251.45 | \$251.45 |

Appliance Garages



Page 49

| | | ASP | BC | ES | HS | MO | NG | PS | WPG | WS |
|--------|---------|----------|----------|-----|----------|----------|----------|----------|----------|----------|
| AG2418 | 24 x 18 | \$391.69 | \$373.04 | N/A | \$373.04 | \$355.28 | \$373.04 | \$373.04 | \$373.04 | \$373.04 |

Corbels



Page 49

| | | ASP | BC | ES | HS | MO | NG | PS | WPG | WS |
|--------|-------|----------|----------|-----|----------|----------|----------|----------|----------|----------|
| CBLPN2 | small | \$215.19 | \$203.33 | N/A | \$203.33 | \$218.57 | \$203.33 | \$203.33 | \$203.33 | \$203.33 |
| CBLPN3 | large | \$295.39 | \$281.32 | N/A | \$281.32 | \$267.92 | \$281.32 | \$281.32 | \$281.32 | \$281.32 |

Index

Plate Rack



Page 50

| | | ASP | BC | ES | HS | MO | NG | PS | WPG | WS |
|--------|---------|----------|----------|-----|----------|----------|----------|----------|----------|----------|
| PR3015 | 30 x 15 | \$345.77 | \$303.95 | N/A | \$303.95 | \$291.66 | \$303.95 | \$303.95 | \$303.95 | \$303.95 |

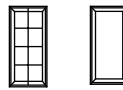
Toilet Topper



Page 50

| | | ASP | BC | ES | HS | MO | NG | PS | WPG | WS |
|--------|---------|-----|-----|-----|----------|-----|----------|----------|----------|----------|
| PR3015 | 30 x 15 | N/A | N/A | N/A | \$659.34 | N/A | \$659.34 | \$454.72 | \$659.34 | \$454.72 |

Single Glass Doors



Page 51

| | | ASP | BC | ES | HS | MO | NG | PS | WPG | WS |
|--------|---------|-----|----------|-----|-----|----------|-----|----------|-----|----------|
| MD1530 | 15 x 30 | N/A | \$141.50 | N/A | N/A | \$134.76 | N/A | \$87.60 | N/A | \$87.60 |
| MD1830 | 18 x 30 | N/A | \$155.15 | N/A | N/A | \$147.76 | N/A | \$106.39 | N/A | \$106.39 |
| MD2130 | 21 x 30 | N/A | \$177.24 | N/A | N/A | \$168.80 | N/A | \$177.24 | N/A | \$177.24 |
| MD1536 | 15 x 36 | N/A | \$160.36 | N/A | N/A | \$152.72 | N/A | \$106.30 | N/A | \$106.30 |
| MD1836 | 18 x 36 | N/A | \$177.28 | N/A | N/A | \$168.84 | N/A | \$126.88 | N/A | \$126.88 |
| MD2136 | 21 x 36 | N/A | \$200.38 | N/A | N/A | \$190.84 | N/A | \$200.38 | N/A | \$200.38 |
| MD1542 | 15 x 36 | N/A | \$171.65 | N/A | N/A | \$163.48 | N/A | \$121.21 | N/A | \$121.21 |
| MD1842 | 18 x 36 | N/A | \$194.25 | N/A | N/A | \$185.00 | N/A | \$154.48 | N/A | \$154.48 |
| MD2142 | 21 x 36 | N/A | \$238.35 | N/A | N/A | \$227.00 | N/A | \$238.35 | N/A | \$238.35 |

| | | ASP | BC | ES | HS | MO | NG | PS | WPG | WS |
|--------|---------|-----|-----|-----|----------|-----|----------|----------|----------|----------|
| PG1530 | 15 x 30 | N/A | N/A | N/A | \$141.50 | N/A | \$141.50 | \$87.60 | \$141.50 | \$87.60 |
| PG1830 | 18 x 30 | N/A | N/A | N/A | \$155.15 | N/A | \$155.15 | \$106.39 | \$155.15 | \$106.39 |
| PG2130 | 21 x 30 | N/A | N/A | N/A | \$177.24 | N/A | \$177.24 | \$177.24 | \$177.24 | \$177.24 |
| PG1536 | 15 x 36 | N/A | N/A | N/A | \$160.36 | N/A | \$160.36 | \$106.30 | \$160.36 | \$106.30 |
| PG1836 | 18 x 36 | N/A | N/A | N/A | \$177.28 | N/A | \$177.28 | \$126.88 | \$177.28 | \$126.88 |
| PG2136 | 21 x 36 | N/A | N/A | N/A | \$200.38 | N/A | \$200.38 | \$200.38 | \$200.38 | \$200.38 |
| PG1542 | 15 x 36 | N/A | N/A | N/A | \$171.65 | N/A | \$171.65 | \$121.21 | \$171.65 | \$121.21 |
| PG1842 | 18 x 36 | N/A | N/A | N/A | \$194.25 | N/A | \$194.25 | \$154.48 | \$194.25 | \$154.48 |
| PG2142 | 21 x 36 | N/A | N/A | N/A | \$238.35 | N/A | \$238.35 | \$238.35 | \$238.35 | \$238.35 |

* PG plain glass / MD mullion *

Range Hood Fronts



Page 53

| | | ASP | BC | ES | HS | MO | NG | PS | WPG | WS |
|-------|-----|----------|----------|-----|----------|----------|----------|----------|----------|----------|
| RHF30 | 30" | \$404.22 | \$384.97 | N/A | \$384.97 | \$366.64 | \$384.97 | \$384.97 | \$384.97 | \$384.97 |
| RHF36 | 36" | \$453.31 | \$431.72 | N/A | \$431.72 | \$411.16 | \$431.72 | \$431.72 | \$431.72 | \$431.72 |

Set of Double Glass Doors

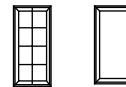


| | | ASP | BC | ES | HS | MO | NG | PS | WPG | WS |
|--------|---------|-----|----------|-----|-----|----------|-----|----------|-----|----------|
| MD2430 | 24 x 30 | N/A | \$199.75 | N/A | N/A | \$190.24 | N/A | \$173.46 | N/A | \$173.46 |
| MD3030 | 30 x 30 | N/A | \$222.73 | N/A | N/A | \$212.12 | N/A | \$199.75 | N/A | \$199.75 |
| MD3630 | 36 x 30 | N/A | \$237.80 | N/A | N/A | \$226.48 | N/A | \$208.03 | N/A | \$208.03 |
| MD2436 | 24 x 36 | N/A | \$223.48 | N/A | N/A | \$212.84 | N/A | \$218.52 | N/A | \$218.52 |
| MD3036 | 30 x 36 | N/A | \$245.32 | N/A | N/A | \$233.64 | N/A | \$223.48 | N/A | \$223.48 |
| MD3636 | 36 x 36 | N/A | \$260.40 | N/A | N/A | \$248.00 | N/A | \$249.31 | N/A | \$249.31 |
| MD2442 | 24 x 42 | N/A | \$282.45 | N/A | N/A | \$269.00 | N/A | \$242.26 | N/A | \$242.26 |
| MD3042 | 30 x 42 | N/A | \$326.55 | N/A | N/A | \$311.00 | N/A | \$282.45 | N/A | \$282.45 |
| MD3642 | 36 x 42 | N/A | \$341.55 | N/A | N/A | \$325.36 | N/A | \$291.27 | N/A | \$291.27 |

| | | ASP | BC | ES | HS | MO | NG | PS | WPG | WS |
|--------|---------|-----|-----|-----|----------|-----|----------|----------|----------|----------|
| PG2430 | 24 x 30 | N/A | N/A | N/A | \$199.75 | N/A | \$199.75 | \$173.46 | \$199.75 | \$173.46 |
| PG3030 | 30 x 30 | N/A | N/A | N/A | \$222.73 | N/A | \$222.73 | \$199.75 | \$222.73 | \$199.75 |
| PG3630 | 36 x 30 | N/A | N/A | N/A | \$237.80 | N/A | \$237.80 | \$208.03 | \$237.80 | \$208.03 |
| PG2436 | 24 x 36 | N/A | N/A | N/A | \$223.48 | N/A | \$223.48 | \$208.03 | \$223.48 | \$208.03 |
| PG3036 | 30 x 36 | N/A | N/A | N/A | \$245.32 | N/A | \$245.32 | \$223.48 | \$245.32 | \$223.48 |
| PG3636 | 36 x 36 | N/A | N/A | N/A | \$269.76 | N/A | \$269.76 | \$249.31 | \$269.76 | \$249.31 |
| PG2442 | 24 x 42 | N/A | N/A | N/A | \$282.45 | N/A | \$282.45 | \$242.26 | \$282.45 | \$242.26 |
| PG3042 | 30 x 42 | N/A | N/A | N/A | \$326.55 | N/A | \$326.55 | \$282.45 | \$326.55 | \$282.45 |
| PG3642 | 36 x 42 | N/A | N/A | N/A | \$341.63 | N/A | \$341.63 | \$291.27 | \$341.63 | \$291.27 |

The above sizes are sold in a set. * PG plain glass / MD mullion *

Single Glass Diagonal Doors



For Diagonal Wall Cabinets

| | | ASP | BC | ES | HS | MO | NG | PS | WPG | WS |
|---------|-----|----------|----------|----------|----------|----------|----------|----------|----------|----------|
| MDWDC30 | 30" | N/A | \$243.26 | \$231.68 | N/A | \$231.68 | N/A | \$137.42 | N/A | \$137.42 |
| MDWDC36 | 36" | N/A | \$287.57 | \$287.57 | N/A | \$273.88 | N/A | \$167.54 | N/A | \$167.54 |
| MDWDC42 | 42" | N/A | \$338.39 | \$338.39 | N/A | \$322.28 | N/A | \$192.70 | N/A | \$192.70 |
| PGWDC30 | 30" | \$208.03 | N/A | \$213.70 | \$243.26 | N/A | \$243.26 | \$137.42 | \$243.26 | \$137.42 |
| PGWDC36 | 36" | \$249.31 | N/A | \$252.63 | \$287.57 | N/A | \$287.57 | \$167.54 | \$465.42 | \$167.54 |
| PGWDC42 | 42" | \$291.27 | N/A | \$297.28 | \$338.39 | N/A | \$338.39 | \$192.70 | \$556.70 | \$192.70 |

* PG plain glass / MD mullion *

Lazy Susan Baskets



| | | Wood Basket | Plastic Basket | Wire Frame Basket |
|-----------|---------|-------------|----------------|-------------------|
| LS-1-36 | Metal | N/A | N/A | \$75.00 |
| LS-2-POLY | White | N/A | \$399.00 | N/A |
| LS-3-WOOD | Natural | \$755.00 | N/A | N/A |

* Baskets available for all Lazy Susan Cabinets regardless of Color *

Index

Wall End Panels

Page 55

| | | ASP | BC | ES | HS | MO | NG | PS | WPG | WS |
|---------|---------|----------|----------|-----|----------|----------|----------|----------|----------|----------|
| WEP1542 | 15 x 42 | \$169.74 | \$161.66 | N/A | \$161.66 | \$153.96 | \$161.66 | \$161.66 | \$161.66 | \$161.66 |

Base End Panels

Page 55

| | | ASP | BC | ES | HS | MO | NG | PS | WPG | WS |
|------|-----------|----------|----------|---------|----------|---------|----------|----------|----------|----------|
| BEP3 | 24 x 34.5 | \$114.00 | \$108.57 | \$94.85 | \$108.57 | \$77.36 | \$108.57 | \$108.57 | \$108.57 | \$108.57 |

Refrigerator End Panels

Page 56

| | | ASP | BC | ES | HS | MO | NG | PS | WPG | WS |
|---------|---------|----------|----------|----------|----------|----------|----------|----------|----------|----------|
| REP9624 | 96 x 24 | \$235.27 | \$224.07 | \$174.62 | \$224.07 | \$174.52 | \$224.07 | \$224.07 | \$224.07 | \$224.07 |

Fluted Wall Fillers

Page 57

| | | ASP | BC | ES | HS | MO | NG | PS | WPG | WS |
|--------|--------|----------|----------|-----|----------|----------|----------|----------|----------|----------|
| WFF342 | 3 x 42 | \$79.22 | \$75.45 | N/A | \$75.45 | \$71.86 | \$75.45 | \$75.45 | \$75.45 | \$75.45 |
| WFF642 | 6 x 42 | \$109.61 | \$104.39 | N/A | \$104.39 | \$99.42 | \$104.39 | \$104.39 | \$104.39 | \$104.39 |
| WFF396 | 3 x 96 | \$174.28 | \$165.98 | N/A | \$165.98 | \$158.08 | \$165.98 | \$165.98 | \$165.98 | \$165.98 |

Fluted Base Fillers

Page 57

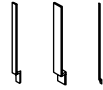
| | | ASP | BC | ES | HS | MO | NG | PS | WPG | WS |
|--------|----------|----------|----------|-----|----------|----------|----------|----------|----------|----------|
| BFF3 | 3 x 34.5 | \$53.66 | \$51.10 | N/A | \$51.10 | \$48.67 | \$51.10 | \$51.10 | \$51.10 | \$51.10 |
| BFF6 | 6 x 34.5 | \$91.05 | \$86.71 | N/A | \$86.71 | \$82.58 | \$86.71 | \$86.71 | \$86.71 | \$86.71 |
| TFF396 | 3 x 96 | \$181.17 | \$172.54 | N/A | \$172.54 | \$164.32 | \$172.54 | \$172.54 | \$172.54 | \$172.54 |

Wall Fillers

Page 58

| | | ASP | BC | ES | HS | MO | NG | PS | WPG | WS |
|-------|--------|----------|----------|----------|----------|----------|----------|----------|----------|----------|
| WF342 | 3 x 42 | \$42.56 | \$40.53 | \$63.08 | \$40.53 | \$34.77 | \$40.53 | \$40.53 | \$40.53 | \$40.53 |
| WF642 | 6 x 42 | \$81.19 | \$77.32 | \$59.12 | \$77.32 | \$73.64 | \$77.32 | \$77.32 | \$77.32 | \$77.32 |
| WF396 | 3 x 96 | \$160.83 | \$153.17 | \$162.55 | \$153.17 | \$145.88 | \$153.17 | \$153.17 | \$153.17 | \$153.17 |

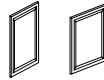
Base Fillers



Page 58

| | | ASP | BC | ES | HS | MO | NG | PS | WPG | WS |
|-------|----------|----------|----------|----------|----------|----------|----------|----------|----------|----------|
| BF3 | 3 x 34.5 | \$34.66 | \$33.01 | \$35.26 | \$33.01 | \$31.44 | \$33.01 | \$33.01 | \$33.01 | \$33.01 |
| BF6 | 6 x 34.5 | \$69.59 | \$66.28 | \$69.73 | \$66.28 | \$67.48 | \$66.28 | \$66.28 | \$66.28 | \$66.28 |
| TF396 | 3 x 96 | \$160.83 | \$153.17 | \$162.55 | \$153.17 | \$145.88 | \$153.17 | \$153.17 | \$153.17 | \$153.17 |

Decorative End Panels



Page 59

| | | ASP | BC | ES | HS | MO | NG | PS | WPG | WS |
|--------|---------|----------|----------|----------|----------|----------|----------|----------|----------|----------|
| DP1230 | 12 x 30 | \$115.02 | \$109.54 | \$101.30 | \$109.54 | \$91.56 | \$109.54 | \$109.54 | \$109.54 | \$109.54 |
| DP1236 | 12 x 36 | \$131.16 | \$124.91 | \$119.96 | \$124.91 | \$107.36 | \$124.91 | \$124.91 | \$124.91 | \$124.91 |
| DP1242 | 12 x 42 | \$125.24 | \$153.55 | \$138.52 | \$153.55 | \$123.16 | \$153.55 | \$119.28 | \$153.55 | \$119.28 |
| DP2430 | 24 x 30 | \$178.69 | \$179.76 | \$187.98 | \$179.76 | \$171.20 | \$179.76 | \$170.18 | \$179.76 | \$170.18 |

Toe Kicks



Page 59

| | | ASP | BC | ES | HS | MO | NG | PS | WPG | WS |
|-----|----|---------|---------|---------|---------|---------|---------|---------|---------|---------|
| TK8 | 8' | \$67.87 | \$64.64 | \$39.00 | \$64.64 | \$61.56 | \$64.64 | \$64.64 | \$64.64 | \$64.64 |

Island Panels



Page 60

| | | ASP | BC | ES | HS | MO | NG | PS | WPG | WS |
|--------|---------|----------|----------|----------|----------|----------|----------|----------|----------|----------|
| IS3696 | 36 x 96 | \$262.57 | \$250.07 | \$289.38 | \$250.07 | \$238.16 | \$250.07 | \$250.07 | \$250.07 | \$250.07 |

Shoe Moldings



Page 60

| | | ASP | BC | ES | HS | MO | NG | PS | WPG | WS |
|------|----|---------|---------|---------|---------|---------|---------|---------|---------|---------|
| SHM8 | 8' | \$36.65 | \$34.90 | \$44.41 | \$34.90 | \$33.24 | \$34.90 | \$34.90 | \$34.90 | \$34.90 |

Rope Insert Moulding



Page 61

| | | ASP | BC | ES | HS | MO | NG | PS | WPG | WS |
|-------|----|---------|---------|-----|---------|---------|---------|---------|---------|---------|
| ROPE8 | 8' | \$69.10 | \$65.81 | N/A | \$65.81 | \$62.68 | \$65.81 | \$65.81 | \$65.81 | \$65.81 |

Crown Moulding



Page 61

| | | ASP | BC | ES | HS | MO | NG | PS | WPG | WS |
|------|----|----------|----------|----------|----------|----------|----------|----------|----------|----------|
| LCM8 | 8' | \$173.97 | \$165.69 | \$156.50 | \$165.69 | \$157.80 | \$165.69 | \$165.69 | \$165.69 | \$165.69 |

Scribe Moulding



Page 62

| | | ASP | BC | ES | HS | MO | NG | PS | WPG | WS |
|-----|----|---------|---------|---------|---------|---------|---------|---------|---------|---------|
| SM8 | 8' | \$36.65 | \$34.90 | \$44.41 | \$34.90 | \$33.24 | \$34.90 | \$34.90 | \$34.90 | \$34.90 |

Index

Light Rail Moulding

Page 62

| | | ASP | BC | ES | HS | MO | NG | PS | WPG | WS |
|------|----|----------|----------|---------|----------|----------|----------|----------|----------|----------|
| LRM8 | 8' | \$150.56 | \$143.39 | \$99.11 | \$143.39 | \$116.84 | \$143.39 | \$143.39 | \$143.39 | \$143.39 |

Outside Corner Moulding

Page 63

| | | ASP | BC | ES | HS | MO | NG | PS | WPG | WS |
|------|----|---------|---------|---------|---------|---------|---------|---------|---------|---------|
| OCS8 | 8' | \$47.63 | \$45.36 | \$57.67 | \$45.36 | \$43.20 | \$45.36 | \$45.36 | \$45.36 | \$45.36 |

Large Cove Crown Moulding

Page 63

| | | ASP | BC | ES | HS | MO | NG | PS | WPG | WS |
|------|----|-----|-----|-----|----------|-----|-----|----------|-----|----------|
| LVC | 8' | N/A | N/A | N/A | N/A | N/A | N/A | \$146.96 | N/A | \$146.96 |
| LVCD | 8' | N/A | N/A | N/A | \$206.48 | N/A | N/A | N/A | N/A | N/A |

Stained Plywood

Page 64

| | | ASP | BC | ES | HS | MO | NG | PS | WPG | WS |
|-----|---------|----------|----------|----------|----------|----------|----------|----------|----------|----------|
| SPW | 36 x 96 | \$218.03 | \$207.65 | \$269.20 | \$213.98 | \$197.76 | \$207.65 | \$207.65 | \$207.65 | \$207.65 |

Wall Skin

Page 64

| | | ASP | BC | ES | HS | MO | NG | PS | WPG | WS |
|--------|---------|---------|---------|----------|---------|---------|---------|---------|---------|---------|
| WS1542 | 15 x 42 | \$97.64 | \$92.99 | \$115.13 | \$92.99 | \$88.56 | \$92.99 | \$92.99 | \$92.99 | \$92.99 |

Tall Skin

Page 64

| | | ASP | BC | ES | HS | MO | NG | PS | WPG | WS |
|--------|-----------|-----|-----|-----|----------|-----|----------|-----|-----|-----|
| TS2496 | 23" x 96" | N/A | N/A | N/A | \$198.99 | N/A | \$193.99 | N/A | N/A | N/A |

Base Skin

Page 64

| | | ASP | BC | ES | HS | MO | NG | PS | WPG | WS |
|--------|-----------|-----|-----|-----|----------|-----|----------|-----|-----|-----|
| BS2435 | 23" x 34" | N/A | N/A | N/A | \$130.99 | N/A | \$125.99 | N/A | N/A | N/A |

Batten Moulding

Page 65

| | | ASP | BC | ES | HS | MO | NG | PS | WPG | WS |
|-----|----|---------|---------|---------|---------|---------|---------|---------|---------|---------|
| BM8 | 8' | \$64.87 | \$61.78 | \$76.49 | \$61.78 | \$58.84 | \$61.78 | \$61.78 | \$61.78 | \$61.78 |

Decorative Base Moulding



Page 65

| | | ASP | BC | ES | HS | MO | NG | PS | WPG | WS |
|--------|----|---------|-----|-----|---------|-----|---------|---------|---------|---------|
| DEC004 | 8' | \$70.35 | N/A | N/A | \$70.35 | N/A | \$70.35 | \$70.35 | \$70.35 | \$70.35 |

Split Corner Decorative Leg



Page 65

| | | ASP | BC | ES | HS | MO | NG | PS | WPG | WS |
|------|----|----------|-----|-----|----------|-----|----------|----------|----------|----------|
| SCDL | X' | \$207.69 | N/A | N/A | \$207.69 | N/A | \$207.69 | \$243.95 | \$207.69 | \$243.95 |

Matching Tall End Panel



Page 66

| | | ASP | BC | ES | HS | MO | NG | PS | WPG | WS |
|--------|-----------|-----|-----|-----|----------|-----|----------|----------|----------|----------|
| MTEP84 | 23" x 84" | N/A | N/A | N/A | \$841.93 | N/A | \$841.93 | \$580.64 | \$841.93 | \$580.64 |
| MTEP90 | 23" x 90" | N/A | N/A | N/A | \$902.60 | N/A | \$902.60 | \$622.48 | \$902.60 | \$622.48 |
| MTEP96 | 23" x 96" | N/A | N/A | N/A | \$963.73 | N/A | \$963.73 | \$664.64 | \$963.73 | \$664.64 |

Plywood Edge Banded



Page 66

| | | ASP | BC | ES | HS | MO | NG | PS | WPG | WS |
|---------|-----------|-----|-----|-----|----------|-----|----------|----------|----------|----------|
| PLYEB42 | 42" x 96" | N/A | N/A | N/A | \$422.96 | N/A | \$422.96 | \$422.96 | \$422.96 | \$422.96 |

Bead Board



Page 66

| | | ASP | BC | ES | HS | MO | NG | PS | WPG | WS |
|-----------|-----------|-----|-----|-----|----------|-----|----------|----------|----------|----------|
| BBFBP4896 | 48" x 96" | N/A | N/A | N/A | \$795.18 | N/A | \$795.18 | \$548.40 | \$795.18 | \$548.40 |

Matching Vanity End Panel

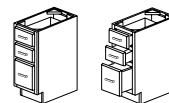


Page 66

| | | ASP | BC | ES | HS | MO | NG | PS | WPG | WS |
|--------|-----------|-----|-----|-----|----------|-----|----------|----------|----------|----------|
| MVEPBH | 20" x 30" | N/A | N/A | N/A | \$189.37 | N/A | \$198.99 | \$189.37 | \$198.99 | \$189.37 |

Index

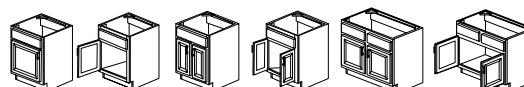
Vanity Drawers Base Cabinets



Page 67

| | | ASP | BC | ES | HS | MO | NG | PS | WPG | WS |
|---------|-----|----------|----------|----------|----------|----------|----------|----------|----------|----------|
| VDB1221 | 12" | \$573.75 | \$600.89 | \$479.75 | \$600.89 | \$541.31 | \$600.89 | \$495.43 | \$600.89 | \$495.43 |
| VDB1521 | 15" | \$602.44 | \$630.93 | \$503.73 | \$630.93 | \$568.38 | \$630.93 | \$520.20 | \$630.93 | \$520.20 |
| VDB1821 | 18" | \$632.55 | \$662.48 | \$528.92 | \$662.48 | \$596.80 | \$662.48 | \$546.21 | \$662.48 | \$546.21 |
| VDB2121 | 21" | \$698.16 | N/A | N/A | \$698.16 | N/A | \$698.16 | \$600.86 | \$698.16 | \$600.86 |
| VDB2421 | 24" | \$731.44 | N/A | N/A | \$731.44 | N/A | \$731.44 | \$616.00 | \$731.44 | \$616.00 |

Vanity Sink Base Cabinets



Page 68

| | | ASP | BC | ES | HS | MO | NG | PS | WPG | WS |
|-------|---------|----------|----------|----------|----------|----------|----------|----------|----------|----------|
| V2121 | 21 x 21 | \$497.72 | N/A | N/A | \$497.72 | N/A | \$497.72 | \$398.51 | \$497.72 | \$398.51 |
| V2421 | 24 x 21 | \$454.59 | \$536.76 | \$371.64 | \$536.76 | \$369.12 | \$536.76 | \$432.94 | \$536.76 | \$432.94 |
| V2721 | 27 x 21 | \$640.83 | N/A | N/A | \$640.83 | N/A | \$640.83 | \$485.17 | \$640.83 | \$485.17 |
| V3021 | 30 x 21 | \$534.80 | \$631.43 | \$448.34 | \$631.43 | \$425.84 | \$631.43 | \$509.33 | \$631.43 | \$509.33 |
| V3621 | 36 x 21 | \$795.83 | \$797.20 | \$543.83 | \$797.20 | \$500.96 | \$797.20 | \$757.93 | \$797.20 | \$757.93 |

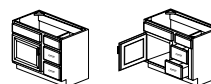
Vanity Base



Page 69

| | | ASP | BC | ES | HS | MO | NG | PS | WPG | WS |
|------|-----------|-----|-----|-----|----------|-----|----------|----------|----------|----------|
| VB12 | 12" x 34" | N/A | N/A | N/A | \$554.36 | N/A | \$554.36 | \$382.32 | \$554.36 | \$382.32 |
| VB15 | 15" x 34" | N/A | N/A | N/A | \$610.86 | N/A | \$610.86 | \$421.28 | \$610.86 | \$421.28 |
| VB18 | 18" x 34" | N/A | N/A | N/A | \$667.23 | N/A | \$667.23 | \$460.16 | \$667.23 | \$460.16 |

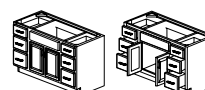
Single Door Vanity Cabinets



Page 69

| | | ASP | BC | ES | HS | MO | NG | PS | WPG | WS |
|---------|---------------|----------|----------|----------|----------|----------|----------|----------|----------|----------|
| V2421DL | 24 x 21 left | \$508.53 | N/A | N/A | \$543.26 | N/A | \$508.53 | \$502.73 | \$508.53 | \$502.73 |
| V2421DR | 24 x 21 right | \$508.53 | N/A | N/A | \$543.26 | N/A | \$508.53 | \$502.73 | \$508.53 | \$502.73 |
| V3021DL | 30 x 21 left | \$677.07 | \$644.83 | \$575.95 | \$688.88 | \$642.19 | \$644.83 | \$644.83 | \$644.83 | \$644.83 |
| V3021DR | 30 x 21 right | \$677.07 | \$644.83 | \$575.95 | \$688.88 | \$642.19 | \$644.83 | \$644.83 | \$644.83 | \$644.83 |
| V3621DL | 36 x 21 left | \$865.20 | \$824.00 | \$698.62 | \$824.00 | \$722.53 | \$824.00 | \$824.00 | \$824.00 | \$824.00 |
| V3621DR | 36 x 21 right | \$865.20 | \$824.00 | \$698.62 | \$824.00 | \$722.53 | \$824.00 | \$824.00 | \$824.00 | \$824.00 |
| V4221DL | 36 x 21 left | N/A | N/A | N/A | \$977.42 | N/A | \$977.42 | \$977.42 | \$977.42 | \$977.42 |
| V4221DR | 36 x 21 right | N/A | N/A | N/A | \$977.42 | N/A | \$977.42 | \$977.42 | \$977.42 | \$977.42 |

Double Door Vanity Cabinets



Page 70

| | | ASP | BC | ES | HS | MO | NG | PS | WPG | WS |
|---------|---------|------------|------------|----------|------------|------------|------------|------------|------------|------------|
| V4821DD | 48 x 21 | \$1,087.68 | \$1,208.76 | \$929.92 | \$1,328.45 | \$1,245.27 | \$1,215.13 | \$1,035.89 | \$1,215.13 | \$1,035.89 |
| V6021DD | 60 x 21 | \$1,112.60 | \$1,358.62 | N/A | \$1,498.01 | \$1,401.05 | \$1,367.91 | \$1,059.62 | \$1,367.91 | \$1,059.62 |

Double Sink Vanity Cabinets



Page 70

| | | ASP | BC | ES | HS | MO | NG | PS | WPG | WS |
|--------|-----|------------|-----|-----|------------|-----|------------|------------|------------|------------|
| VSDB60 | 60" | \$1,112.60 | N/A | N/A | \$1,498.01 | N/A | \$1,148.15 | \$1,059.62 | \$1,148.15 | \$1,059.62 |

Touch-Up Kits

Page 71

| | ASP | BC | ES | HS | MO | NG | PS | WPG | WS |
|-----|---------|---------|---------|---------|---------|---------|---------|---------|---------|
| TUK | \$83.96 | \$79.96 | \$79.96 | \$79.96 | \$79.96 | \$79.96 | \$79.96 | \$79.96 | \$79.96 |

Display / Sample Doors

Page 72

| | ASP | BC | ES | HS | MO | NG | PS | WPG | WS |
|----|---------|---------|---------|---------|---------|---------|---------|---------|---------|
| DD | \$40.00 | \$40.00 | \$40.00 | \$40.00 | \$40.00 | \$40.00 | \$40.00 | \$40.00 | \$40.00 |

